



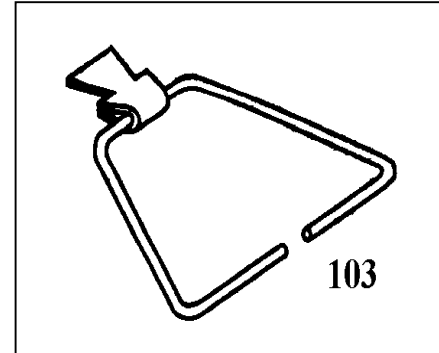
Heckmann Building Products Inc.

1501 N. 31st Avenue
 Melrose Park, IL 60160-2911
 800-621-4140 or 708-865-2403 Fax: 708-865-2640
www.heckmannbuildingprods.com

SUBMITTAL SHEET: #103 DOVETAIL TRIANGULAR ANCHOR

Used for attaching brick veneer to an existing concrete wall that contains standard 1" deep x 1" wide dovetail slot with a 5/8" throat at the face of concrete. (See Heckmann #100 Dovetail Slot sheet for Anchor Slot Specifications).

Standard Sizes: 12 gage dovetail clip attached to a 3/16" diameter wire triangle tie in the following lengths: 3", 4", 5", 7", 9", and 11". Available in Mill Galvanized, Hotdip Galvanized After Fabrication, and Stainless Steel.



Approvals:

Comments:

Stainless Steel:

Sheet metal anchors and ties: ASTM A 167 AISI Type 304.

Plate and bent bar anchors: ASTM A 666 AISI Type 304.

Wire ties and anchors: ASTM A 580 AISI Type 304.

Hotdip Galvanized:

ASTM A 153 Class B-2: (1.50 oz/ ft²)(0.46kg/m²)

Mill Galvanized:

Sheet metal anchors and ties: ASTM A 653 G60

Wire: ASTM A 641 (0.1 oz/ ft².)

Plain Steel:

Sheet Metal anchors and ties: ASTM A 569, ASTM A 366.

Plates, bars, and shapes: ASTM A 123, ASTM A 36.

Test Data

| TEST RESULTS | TENSION | COMPRESSION | | SHEAR |
|-------------------------------------|----------------------------------|----------------------------------|----------------------------------|----------------------------------|
| | | 1" Cavity (25.4mm) | 3" Cavity (76.2mm) | |
| R.E.E.L. Loads deflection | 327 lbs .039 in. (.9906mm) | 509 lbs .072 in. (1.828mm) | 282 lbs .044 in. (1.117mm) | 138 lbs .039 in. (.9906mm) |
| R.E.M. Loads deflection | 713 lbs .179 in. (4.546mm) | 560 lbs .090 in. (2.286mm) | 386 lbs .140 in. (3.556mm) | 347 lbs .361 in. (9.169mm) |
| Peak Loads deflection | 751 lbs .286 in. (7.264mm) | 616 lbs .140 in. (3.556mm) | 701 lbs .272 in. (6.908mm) | 371 lbs .452 in. (11.48mm) |