



Heckmann Building Products Inc.

1501 N. 31st Avenue

Melrose Park, IL 60160-2911

800-621-4140 or 708-865-2403 Fax: 708-865-2640

www.heckmannbuildingprods.com

SUBMITTAL SHEET: #1052 ANGLED FLASHING

Made To Order

Maximum Length of piece is 10 feet. Usually made of 26 gage Type 304 Stainless Steel. Mill Galvanized Steel is also available. Specify size of the two angle dimensions and the degree of angle. The small lip at the bottom is usually 45 degrees and 1/2" long.

Steel sheets used to fabricate this angle are usually 10 feet long x 36 inches wide or 48 inches wide. If possible, plan your flashing measurements to be evenly divisible by 36 or 48 inches to avoid costly scrap charges.

Stainless Steel:

Sheet metal anchors and ties: ASTM A 167 AISI Type 304.

Plate and bent bar anchors: ASTM A 666 AISI Type 304.

Wire ties and anchors: ASTM A 580 AISI Type 304.

Hotdip Galvanized:

ASTM A 153 Class B-2: (1.50 oz/ ft²).(0.46kg/m²)

Mill Galvanized:

Sheet metal anchors and ties: ASTM A 653 G60

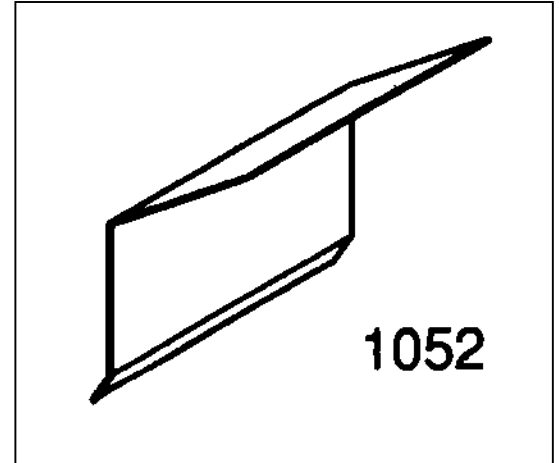
Wire: ASTM A 641 (0.1 oz/ ft².)

Plain Steel:

Sheet Metal anchors and ties: ASTM A 569, ASTM A 366.

Plates, bars, and shapes: ASTM A 123, ASTM A 36.

Wire: ASTM A 82, ASTM A 82-95a.



Approvals:

Comments: