



Heckmann Building Products Inc.

1501 N. 31st Avenue
Melrose Park, IL 60160-2911
800-621-4140 or 708-865-2403 Fax: 708-865-2640
www.heckmannbuildingprods.com

SUBMITTAL SHEET:

#106-B SHALLOW DOVETAIL CORRUGATED ANCHOR

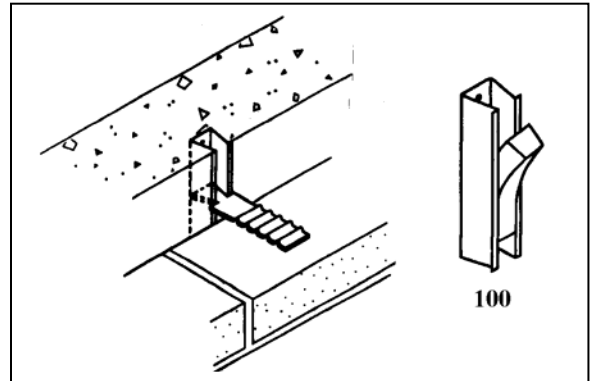
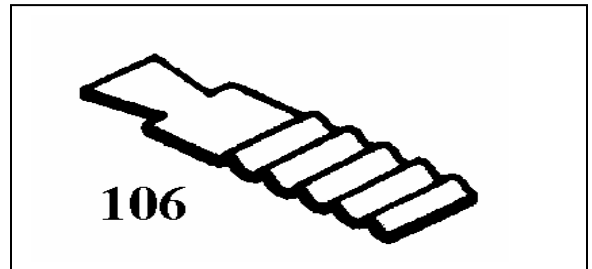
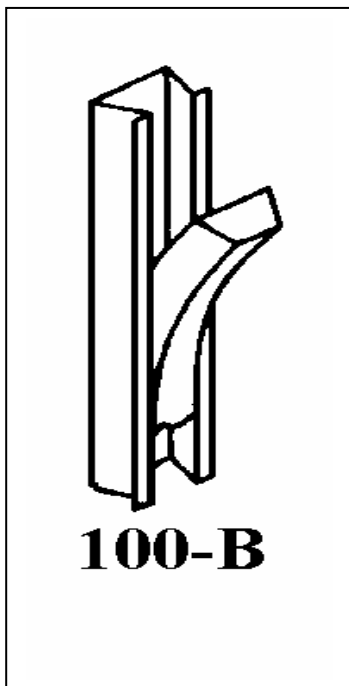
Used for attaching brick veneer to an existing concrete wall that has No. 100-B Shallow Dovetail Anchor Slots. Available in 12ga, 14ga, or 16ga x 1" wide in lengths as required from the face of concrete in Mill Galvanized Steel, Hotdip Galvanized After Fabrication, or Stainless Steel.

Minimum Width is 1" wide.

Lengths are measured from the Face of the Concrete to the end of the anchor.

Dovetail notch in anchor is 7/8" across at the end and 9/16" deep.

NOTE!: This anchor will only fit into the No. 100-B Dovetail Slot.



Stainless Steel:

Sheet metal anchors and ties: ASTM A 167 AISI Type 304.

Plate and bent bar anchors: ASTM A 666 AISI Type 304.

Wire ties and anchors: ASTM A 580 AISI Type 304.

Hotdip Galvanized:

ASTM A 153 Class B-2: (1.50 oz/ft²)(0.46kg/m²)

Mill Galvanized:

Sheet metal anchors and ties: ASTM A 653 G60

Wire: ASTM A 641 (0.1 oz/ft².)

Plain Steel:

Sheet Metal anchors and ties: ASTM A 569, ASTM A 366.

Plates, bars, and shapes: ASTM A 123, ASTM A 36.

Wire: ASTM A 82, ASTM A 82-95a.

Firewall Anchors:

Rolled Strip Zinc Alloy 710.

(Firewall alloy 1/8" and 16 gage only)

Approvals:

Comments: