



# Heckmann Building Products Inc.

1501 N. 31<sup>st</sup> Avenue  
Melrose Park, IL 60160-2911  
800-621-4140 or 708-865-2403 Fax: 708-865-2640  
[www.heckmannbuildingprods.com](http://www.heckmannbuildingprods.com)

## SUBMITTAL SHEET:

### #106 DOVETAIL CORRUGATED ANCHOR

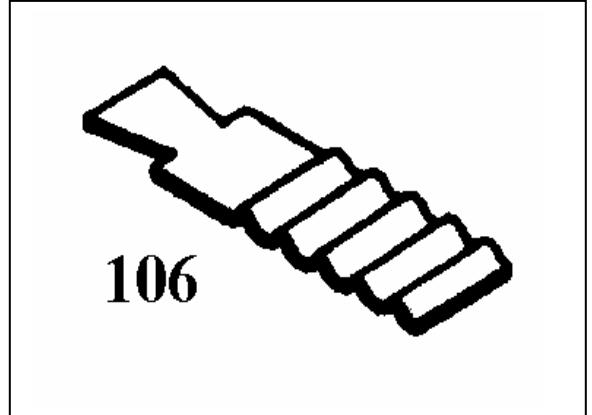
Used for attaching brick veneer to an existing concrete wall that has dovetail anchor slots. Standard Size: 16 gage & 12 gage x 1" wide in lengths of 3-1/2", 5-1/2", & 7-1/2" from the face of concrete in Mill Galvanized Steel and Hotdip Galvanized After Fabrication.

Specials: Maximum thickness 3/16" in Plain, Hotdip, and Electro and 1/8" in Stainless Steel.

Minimum Width is 1" wide.

Any Length up to 25" is available. Lengths are measured from the Face of The Concrete.

Available in Plain Steel, Mill Galvanized Steel, Electro Galvanized After Fabrication, Hotdip Galvanized After Fabrication, and Stainless Steel.



#### **Stainless Steel:**

Sheet metal anchors and ties: ASTM A 167 AISI Type 304.

Plate and bent bar anchors: ASTM A 666 AISI Type 304.

Wire ties and anchors: ASTM A 580 AISI Type 304.

#### **Hotdip Galvanized:**

ASTM A 153 Class B-2: (1.50 oz/ ft<sup>2</sup>)(0.46kg/m<sup>2</sup>)

#### **Mill Galvanized:**

Sheet metal anchors and ties: ASTM A 653 G60

Wire: ASTM A 641 (0.1 oz/ ft<sup>2</sup>)

#### **Plain Steel:**

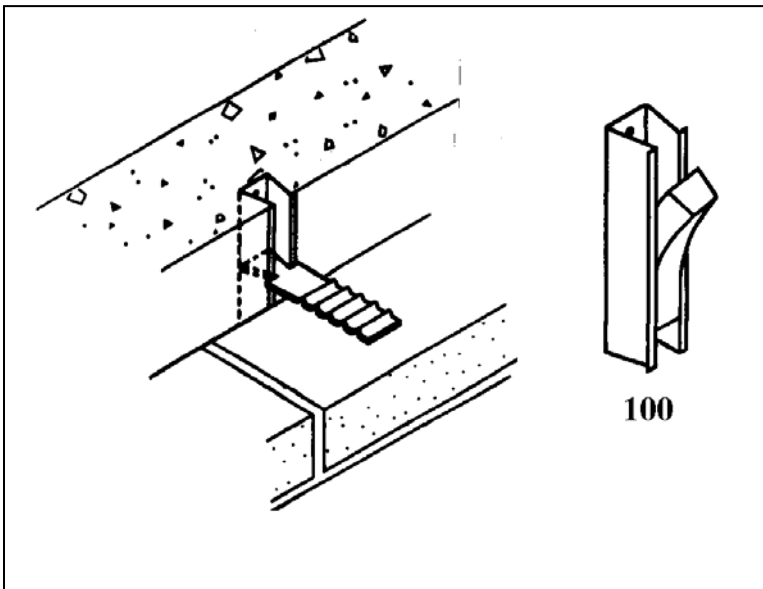
Sheet Metal anchors and ties: ASTM A 569, ASTM A 366.

Plates, bars, and shapes: ASTM A 123, ASTM A 36.

Wire: ASTM A 82, ASTM A 82-95a.

#### **Firewall Anchors:**

Rolled Strip Zinc Alloy 710.



Approvals:

Comments: