



Heckmann Building Products Inc.

1501 N. 31st Avenue

Melrose Park, IL 60160-2911

800-621-4140 or 708-865-2403 Fax: 708-865-2640

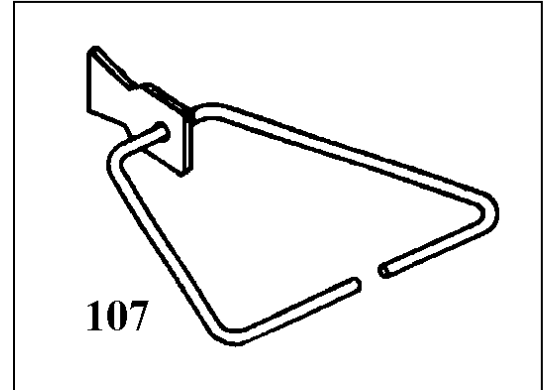
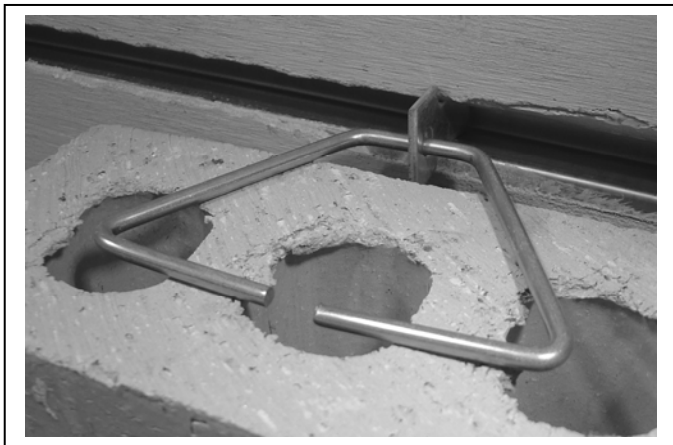
www.heckmannanchors.com

SUBMITTAL SHEET:

#107 Dovetail Horizontal Triangular Tie

Used for attaching brick veneer to an existing concrete wall that contains standard 1" deep x 1" wide dovetail slot with a 5/8" throat at the face of concrete where there is a 90° difference between the plane of the anchor and the slot. (See Heckmann #100 Dovetail Slot sheet for Anchor Slot Specifications).

Standard Sizes: 1/8" dovetail clip 1" wide furnished loose for attachment to a 3/16" diameter wire triangle tie in the following lengths: 3", 4", 5", 7", 9", and 11". Available in Mill Galvanized, Hotdip Galvanized After Fabrication, and Stainless Steel.



Stainless Steel:

Sheet metal anchors and ties: ASTM A 167 AISI Type 304.

Plate and bent bar anchors: ASTM A 666 AISI Type 304.

Wire ties and anchors: ASTM A 580 AISI Type 304.

Hotdip Galvanized:

ASTM A 153 Class B-2: (1.50 oz/ ft²).(0.46kg/m²)

Approvals:

Comments: