



Heckmann Building Products Inc.

1501 N. 31st Avenue

Melrose Park, IL 60160-2911

800-621-4140 or 708-865-2403 Fax: 708-865-2640

www.heckmannbuildingprods.com

SUBMITTAL SHEET: #109 DOVETAIL FLAT ANCHOR

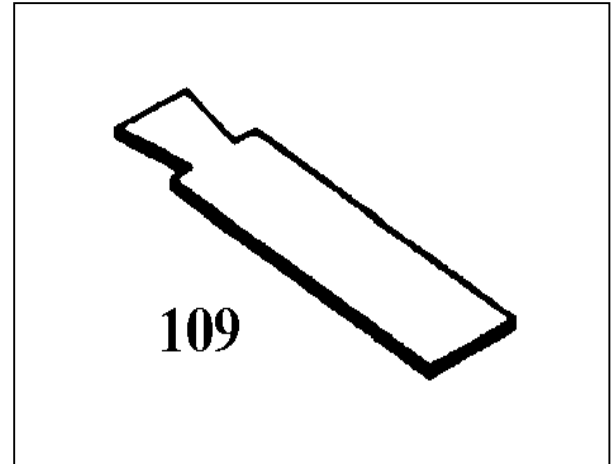
Used for Field Bending to hold Stone to a concrete backup wall that has standard #100 Dovetail slots.

Made to Order: Thickness: 3/16" or 1/8".

Width: 1" minimum. (2" minimum for #109-A)

Length: Specify length as measured from Face Of Concrete to the end of the anchor.

Available in Stainless Steel, Hotdip Galvanized After Fabrication, Electro Galvanized After Fabrication, or Mill Galvanized (1/8" only).



Approvals:

Comments: