



Heckmann Building Products Inc.

1501 N. 31st Avenue

Melrose Park, IL 60160-2911

800-621-4140 or 708-865-2403 Fax: 708-865-2640

www.heckmannbuildingprods.com

SUBMITTAL SHEET: #115 DOVETAIL STONE ANCHOR

Used to attach stone veneer to a concrete backup wall that contains #100 Dovetail Anchor Slots.

Made to Order:

Thickness: 3/16" or 1/8".

Width: 1" minimum. (2" minimum for #115-A)

Length: Specify length as measured from Face Of Concrete to the inside of the bend.

Bend: Minimum of 3/4" i.d.

Available in Stainless steel, Hotdip Galvanized After Fabrication, Electro Galvanized After Fabrication, or Mill Galvanized (1/8" only).

Stainless Steel:

Sheet metal anchors and ties: ASTM A 167 AISI Type 304.

Plate and bent bar anchors: ASTM A 666 AISI Type 304.

Wire ties and anchors: ASTM A 580 AISI Type 304.

Hotdip Galvanized:

ASTM A 153 Class B-2: (1.50 oz/ ft²).(0.46kg/m²)

Mill Galvanized:

Sheet metal anchors and ties: ASTM A 653 G60

Wire: ASTM A 641 (0.1 oz/ ft².)

Plain Steel:

Sheet Metal anchors and ties: ASTM A 569, ASTM A 366.

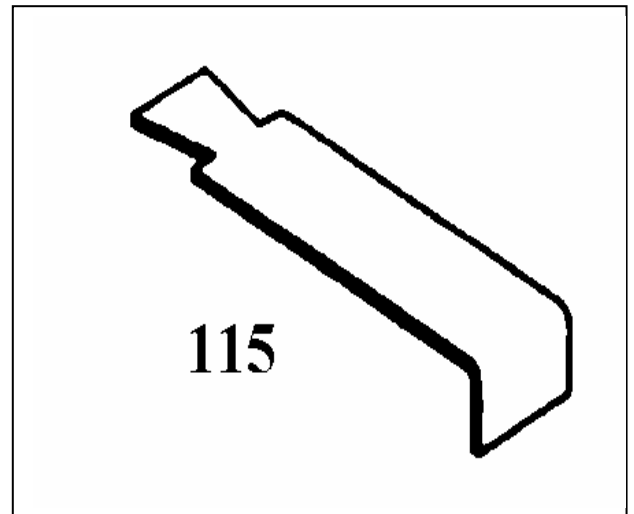
Plates, bars, and shapes: ASTM A 123, ASTM A 36.

Wire: ASTM A 82, ASTM A 82-95a.

Firewall Anchors:

Rolled Strip Zinc Alloy 710.

(Firewall alloy 1/8" and 16 gage only)



Approvals:

Comments: