



# Heckmann Building Products Inc.

1501 N. 31<sup>st</sup> Avenue  
Melrose Park, IL 60160-2911  
800-621-4140 or 708-865-2403 Fax: 708-865-2640  
[www.heckmannbuildingprods.com](http://www.heckmannbuildingprods.com)

## SUBMITTAL SHEET:

### #118-A DOVETAIL STONE PIN ANCHOR

(Use only with Heckmann #100-A Large Dovetail Anchor Slot)

#### Made to Order:

Thickness: 1/8" maximum

Dovetail Section is 1-7/8" across x 1-9/16" deep.

Width: 2" minimum.

Length: Specify length as measured from Face Of Concrete to the end of the anchor. Allow a minimum of 1/4"-1/2" of steel between the start of the pin and the end of the anchor.

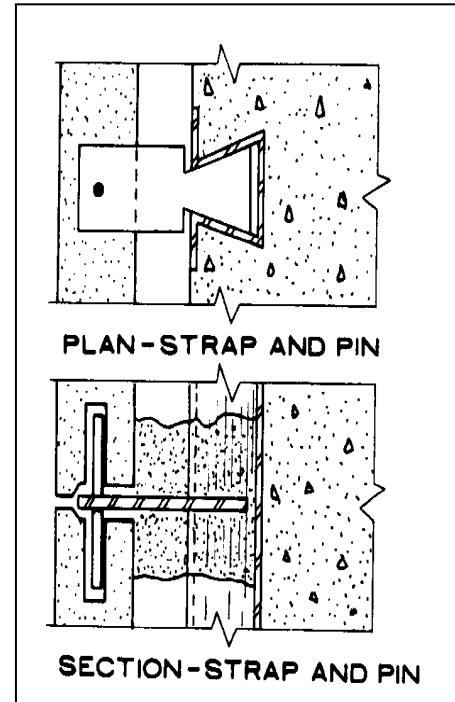
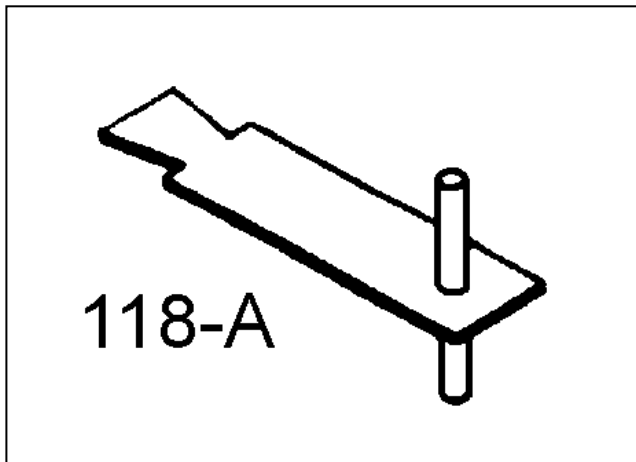
Hole Location: Specify as distance from end of anchor to center of hole. Hole is 1/16" larger than the diameter of the pin.

PINS: Available in Diameters of 1/4", 3/8", 1/2", and 5/8".

Minimum length of dowels is usually 3".

Pins are available loose or welded in place. Pins furnished loose allow the stone installer to use the anchor as a template for drilling his hole into the stone.

Available in Stainless steel, Hotdip Galvanized After Fabrication, Electro Galvanized After Fabrication, or Mill Galvanized (1/8" only).



#### Stainless Steel:

Sheet metal anchors and ties: ASTM A 167 AISI Type 304.

Plate and bent bar anchors: ASTM A 666 AISI Type 304.

Wire ties and anchors: ASTM A 580 AISI Type 304.

#### Hotdip Galvanized:

ASTM A 153 Class B-2: (1.50 oz/ ft<sup>2</sup>)(0.46kg/m<sup>2</sup>)

#### Mill Galvanized:

Sheet metal anchors and ties: ASTM A 653 G60

Wire: ASTM A 641 (0.1 oz/ ft<sup>2</sup>.)

#### Plain Steel:

Sheet Metal anchors and ties: ASTM A 569, ASTM A 366.

Plates, bars, and shapes: ASTM A 123, ASTM A 36.

Wire: ASTM A 82, ASTM A 82-95a.

#### Firewall Anchors:

Rolled Strip Zinc Alloy 710.

(Firewall alloy 1/8" and 16 gage only)

Approvals:

Comments: