



Heckmann Building Products Inc.

1501 N. 31st Avenue

Melrose Park, IL 60160-2911

800-621-4140 or 708-865-2403 Fax: 708-865-2640

www.heckmannbuildingprods.com

SUBMITTAL SHEET: #131 MASONRY-TYPE CHANNEL SLOT

Z-Anchors are imbedded in CMU walls with Channel projecting onto the exterior for placement of anchors into veneer wall.

Z-Anchors are welded to our standard #130 Channel Slots. Z-Anchors are typically 1/8" thick with 3/4" bend onto the face of the slot and 1" bends in the back. Anchors are usually 1 1/4" wide.

Standard Channel Slot Size: 11 gage and 16 gage x 1-3/8" wide x 8" long. Slot is 9/16" x 5-1/2". Slot projects a maximum of 5/8" from the face of the CMU.

Available in Hotdip Galvanized after Fabrication, and Stainless Steel

See #130, #132, and #133 for Additional Slot Types.
See #129, #122, #123, #124, #125, and #134 for Channel Slot Brick Veneer Anchors
See #127, #135, #136, #137, #138, and #139 for Channel Slot Stone Anchors

504.

Plate and bent bar anchors: ASTM A 666 AISI Type 304.

Wire ties and anchors: ASTM A 580 AISI Type 304.

Hotdip Galvanized:

ASTM A 153 Class B-2: (1.50 oz/ ft²)(0.46kg/m²)

Mill Galvanized:

Sheet metal anchors and ties: ASTM A 653 G60

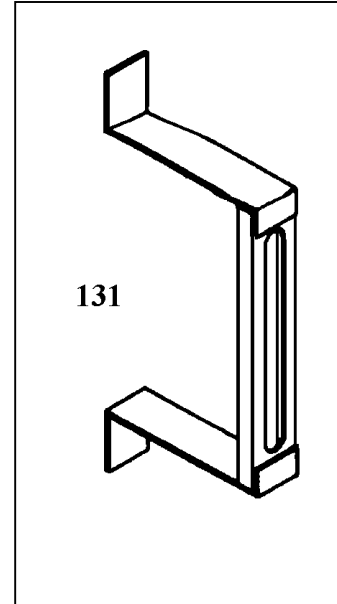
Wire: ASTM A 641 (0.1 oz/ ft².)

Plain Steel:

Sheet Metal anchors and ties: ASTM A 569, ASTM A 366.

Plates, bars, and shapes: ASTM A 123, ASTM A 36.

Wire: ASTM A 82, ASTM A 82-95a.



Approvals:

Comments: