



# Heckmann Building Products Inc.

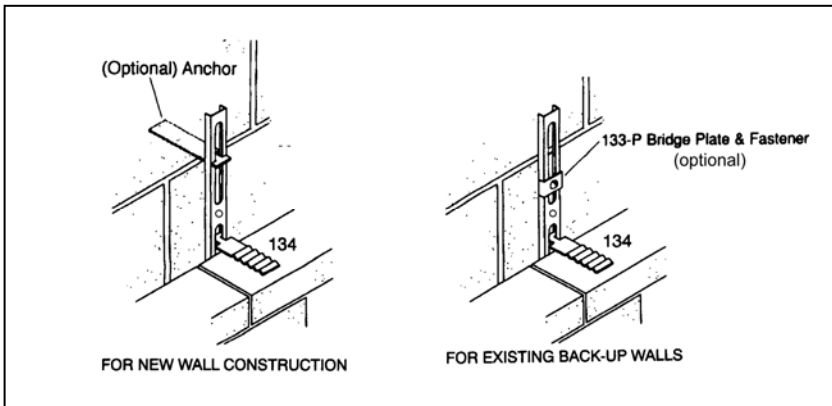
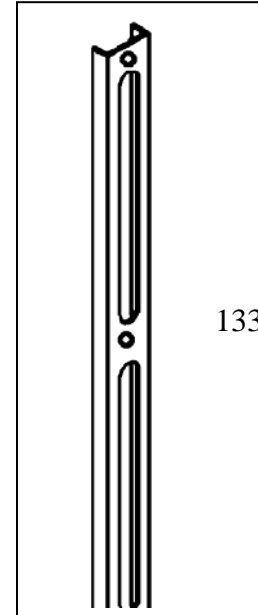
1501 N. 31<sup>st</sup> Avenue  
Melrose Park, IL 60160-2911  
800-621-4140 or 708-865-2403 Fax: 708-865-2640  
[www.heckmannbuildingprods.com](http://www.heckmannbuildingprods.com)

## SUBMITTAL SHEET: #133 LONG CHANNEL SLOT

Used to attach Brick or Stone Veneers to an existing Brick, CMU, or Concrete wall or to a new CMU wall.

Standard Size: 16 gage x 1-3/8" wide with 1/2" flanges. Available in 5 ft. or 10 ft. lengths. Slots are 1/2" x 7-3/8" with 3/4" between slots. 5 ft. lengths have 7 slots and 10 ft. lengths have 14 slots. Available Mill Galvanized, Hotdip Galvanized After Fabrication, or Stainless Steel.

Use #133-P Bridge Plates (optional) as a conforming washer along with an expansion anchor to attach to existing walls. We recommend a minimum of 3 attachments for 5 ft. lengths and 5 attachments for 10 ft. lengths. Use #129, #138, or #134 anchors reversed to attach to new CMU wall. Long Channel Slots can also be welded to steel beams.



### Stainless Steel:

Sheet metal anchors and ties: ASTM A 167 AISI Type 304.  
Plate and bent bar anchors: ASTM A 666 AISI Type 304.  
Wire ties and anchors: ASTM A 580 AISI Type 304.

### Hotdip Galvanized:

ASTM A 153 Class B-2: (1.50 oz/ ft<sup>2</sup>)(0.46kg/m<sup>2</sup>)

### Mill Galvanized:

Sheet metal anchors and ties: ASTM A 653 G60  
Wire: ASTM A 641 (0.1 oz/ ft<sup>2</sup>.)

### Plain Steel:

Sheet Metal anchors and ties: ASTM A 569, ASTM A 366.  
Plates, bars, and shapes: ASTM A 123, ASTM A 36.  
Wire: ASTM A 82, ASTM A 82-95a.

Approvals:

Comments: