



Heckmann Building Products Inc.

1501 N. 31st Avenue

Melrose Park, IL 60160-2911

800-621-4140 or 708-865-2403 Fax: 708-865-2640

www.heckmannbuildingprods.com

SUBMITTAL SHEET: #135 CHANNEL SLOT STONE ANCHOR

Used for attaching stone to backup that has Channel Slots.
(See #130, #131, #132, or #133 Channel Slots)

Made to Order:

Gage: 3/16", 1/8", 11 gage, 12 gage, 14 gage, or 16 gage.

Width: 1-1/4" minimum.

Length: Minimum 1-1/2" (Length is measured from face of channel, which is 1/2" out from backup, to inside of the bend.

Bend: Minimum 3/4".

Available in Mill Galvanized, Electro Galvanized After Fabrication, Hotdip Galvanized After Fabrication, or Stainless Steel.

Stainless Steel:

Sheet metal anchors and ties: ASTM A 167 AISI Type 304.

Plate and bent bar anchors: ASTM A 666 AISI Type 304.

Wire ties and anchors: ASTM A 580 AISI Type 304.

Hotdip Galvanized:

ASTM A 153 Class B-2: (1.50 oz/ ft²)(0.46kg/m²)

Mill Galvanized:

Sheet metal anchors and ties: ASTM A 653 G60

Wire: ASTM A 641 (0.1 oz/ ft².)

Plain Steel:

Sheet Metal anchors and ties: ASTM A 569, ASTM A 366.

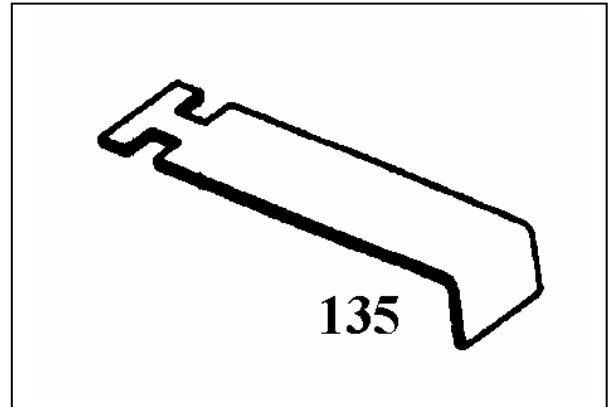
Plates, bars, and shapes: ASTM A 123, ASTM A 36.

Wire: ASTM A 82, ASTM A 82-95a.

Firewall Anchors:

Rolled Strip Zinc Alloy 710.

(Firewall alloy 1/8" and 16 gage only)



Approvals:

Comments: