



# Heckmann Building Products Inc.

1501 N. 31<sup>st</sup> Avenue

Melrose Park, IL 60160-2911

800-621-4140 or 708-865-2403 Fax: 708-865-2640

[www.heckmannbuildingprods.com](http://www.heckmannbuildingprods.com)

## SUBMITTAL SHEET: #140 Z-TYPE STONE ANCHOR

Made to order:

Thickness: 1/4", 3/16", 1/8", 11gage, 12 gage, 14 gage,  
& 16 gage.

Width: minimum width recommended is 3/4" wide.

Length: minimum length 1-1/2" long i.d. (specify as i.d.  
dimension)

Bends: minimum 3/4" i.d. recommended. (specify as i.d.  
dimension)

Available in Stainless Steel, Hotdip Galvanized After  
Fabrication, Electro Galvanized After Fabrication, Mill  
Galvanized, or Plain Steel.

### **Stainless Steel:**

Sheet metal anchors and ties: ASTM A 167 AISI Type  
304.

Plate and bent bar anchors: ASTM A 666 AISI Type 304.

Wire ties and anchors: ASTM A 580 AISI Type 304.

### **Hotdip Galvanized:**

ASTM A 153 Class B-2: (1.50 oz/ ft<sup>2</sup>)(0.46kg/m<sup>2</sup>)

### **Mill Galvanized:**

Sheet metal anchors and ties: ASTM A 653 G60

Wire: ASTM A 641 (0.1 oz/ ft<sup>2</sup>.)

### **Plain Steel:**

Sheet Metal anchors and ties: ASTM A 569, ASTM A 366.

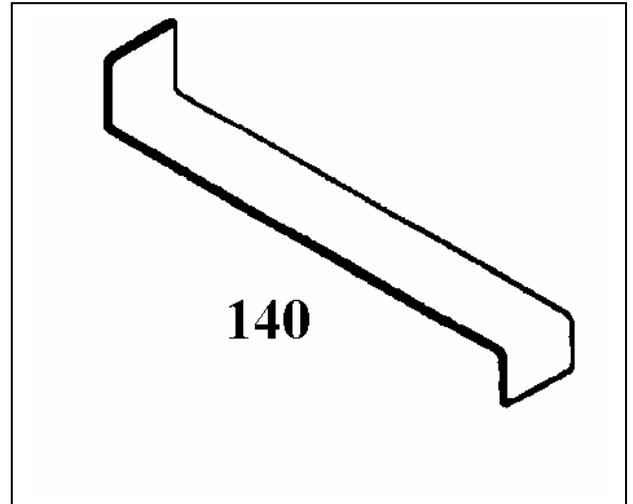
Plates, bars, and shapes: ASTM A 123, ASTM A 36.

Wire: ASTM A 82, ASTM A 82-95a.

### **Firewall Anchors:**

Rolled Strip Zinc Alloy 710.

(Firewall alloy 1/8" and 16 gage only)



Approvals:

Comments: