



Heckmann Building Products Inc.

1501 N. 31st Avenue

Melrose Park, IL 60160-2911

800-621-4140 or 708-865-2403 Fax: 708-865-2640

www.heckmannbuildingprods.com

SUBMITTAL SHEET: #144 L-TYPE STONE ANCHOR

Made to order:

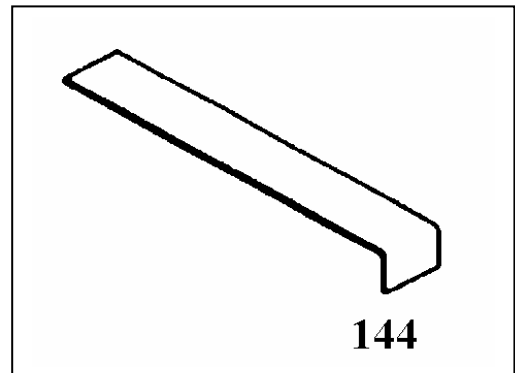
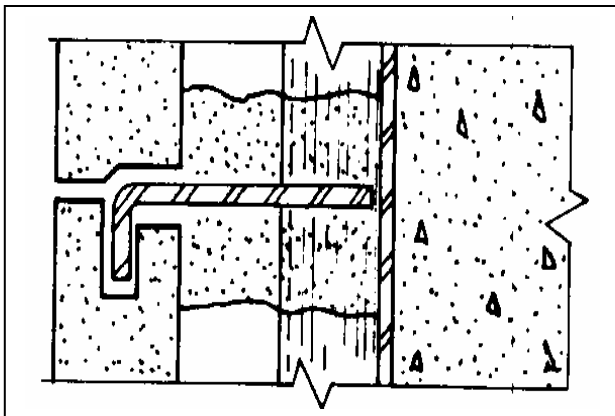
Thickness: 1/4", 3/16", 1/8", 11 gage, 12 gage, 14 gage,
& 16 gage.

Width: minimum width recommended is 3/4" wide.

Length: minimum length 1-1/2" long i.d. (specify as i.d.
dimension)

Bend: minimum 3/4" i.d. recommended. (specify as i.d.
dimension)

Available in Stainless Steel, Hotdip Galvanized After
Fabrication, Electro Galvanized After Fabrication, Mill
Galvanized, or Plain Steel.



Stainless Steel:

Sheet metal anchors and ties: ASTM A 167 AISI Type 304.

Plate and bent bar anchors: ASTM A 666 AISI Type 304.

Wire ties and anchors: ASTM A 580 AISI Type 304.

Hotdip Galvanized:

ASTM A 153 Class B-2: (1.50 oz/ ft²)(0.46kg/m²)

Mill Galvanized:

Sheet metal anchors and ties: ASTM A 653 G60

Wire: ASTM A 641 (0.1 oz/ ft².)

Plain Steel:

Sheet Metal anchors and ties: ASTM A 569, ASTM A 366.

Plates, bars, and shapes: ASTM A 123, ASTM A 36.

Wire: ASTM A 82, ASTM A 82-95a.

Firewall Anchors:

Rolled Strip Zinc Alloy 710.

Approvals:

Comments: