



**Heckmann Building Products Inc.**

**1501 N. 31<sup>st</sup> Avenue  
Melrose Park, IL 60160-2911  
800-621-4140 or 708-865-2403  
Fax: 708-865-2640**

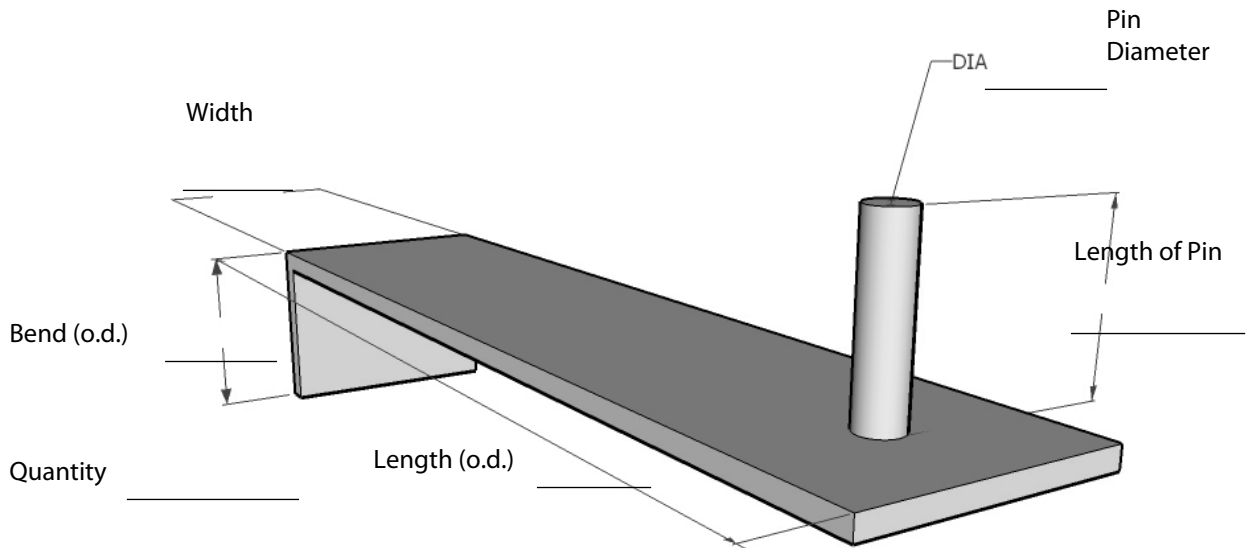
WebSite: [www.heckmannanchors.com](http://www.heckmannanchors.com)  
E-Mail: [info@heckmannanchors.com](mailto:info@heckmannanchors.com)

Date \_\_\_\_\_

To: Heckmann Sales Department

From:

**#152-AL-Type Stone Half-Pin Anchor**



Quantity \_\_\_\_\_

Material Thickness (click on one)

Steel Type (click on one)

Pin Type (click on one)

Notes