



# Heckmann Building Products Inc.

1501 N. 31<sup>st</sup> Avenue

Melrose Park, IL 60160-2911

800-621-4140 or 708-865-2403 Fax: 708-865-2640

[www.heckmannbuildingprods.com](http://www.heckmannbuildingprods.com)

## #157-A CENTERED DOWEL PIN ANCHOR

### Made to order:

Thickness of strap: 1/4", 3/16", 1/8", 11 gage, 12 gage, 14 gage, & 16 gage.

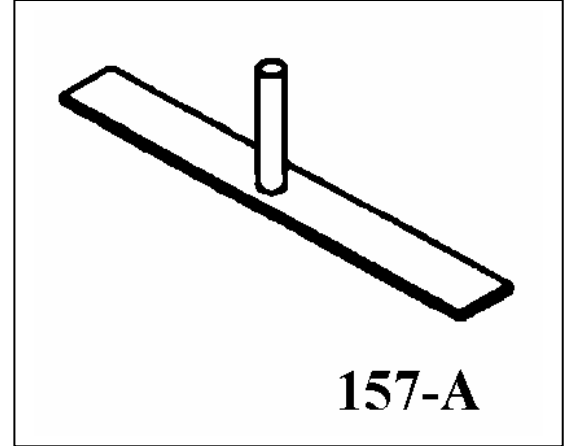
Diameter of Pin: 1/4", 3/8", 1/2", & 5/8".

Strap Width: minimum width recommended is 1-1/4".  
(You should allow at least 1/4" of steel on each side of a pin).

Length: Specify overall length of strap and overall length of pin.

Available in Stainless Steel, or Hotdip Galvanized After Fabrication.

Pin is usually welded in the center of the anchor.



### **Stainless Steel:**

Sheet metal anchors and ties: ASTM A 167 AISI Type 304.

Plate and bent bar anchors: ASTM A 666 AISI Type 304.

Wire ties and anchors: ASTM A 580 AISI Type 304.

### **Hotdip Galvanized:**

ASTM A 153 Class B-2: (1.50 oz/ ft<sup>2</sup>)(0.46kg/m<sup>2</sup>)

### **Firewall Anchors:**

Rolled Strip Zinc Alloy 710.

(Firewall alloy 1/8" and 16 gage only)

Approvals:

Comments: