



Heckmann Building Products Inc.

1501 N. 31st Avenue

Melrose Park, IL 60160-2911

800-621-4140 or 708-865-2403 Fax: 708-865-2640

www.heckmannbuildingprods.com

SUBMITTAL SHEET: #160 L-ROD ANCHOR WITH PLATE

Made to Order:

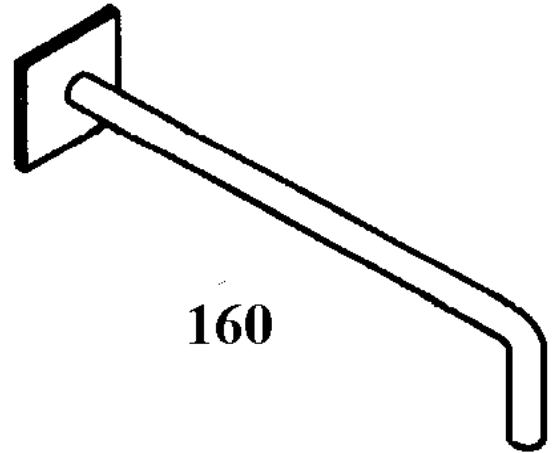
Specify Diameter of rod (Available in 1/8", 3/16", 1/4", 3/8", 1/2", 5/8").

Square Plate is Available in 16 gage, 14 gage, 12 gage, 1/8", & 3/16" thickness. Specify length and width of plate.

Specify Length: Shank Length to inside of bend

Specify Bend Length: inside dimension

Available in Stainless Steel, Hotdip Galvanized After Fabrication, or Plain Steel.



Stainless Steel:

Sheet metal anchors and ties: ASTM A 167 AISI Type 304.

Plate and bent bar anchors: ASTM A 666 AISI Type 304.

Wire ties and anchors: ASTM A 580 AISI Type 304.

Hotdip Galvanized:

ASTM A 153 Class B-2: (1.50 oz/ ft²)(0.46kg/m²)

Plain Steel:

Sheet Metal anchors and ties: ASTM A 569, ASTM A 366.

Plates, bars, and shapes: ASTM A 123, ASTM A 36.

Wire: ASTM A 82, ASTM A 82-95a.

Firewall Anchors:

Rolled Strip Zinc Alloy 710.

(Firewall alloy 1/8" and 16 gage only)

Approvals:

Comments: