



**Heckmann Building Products Inc.**

**1501 N. 31<sup>st</sup> Avenue**

**Melrose Park, IL 60160-2911**

**800-621-4140 or 708-865-2403**

**Fax: 708-865-2640**

Date \_\_\_\_\_

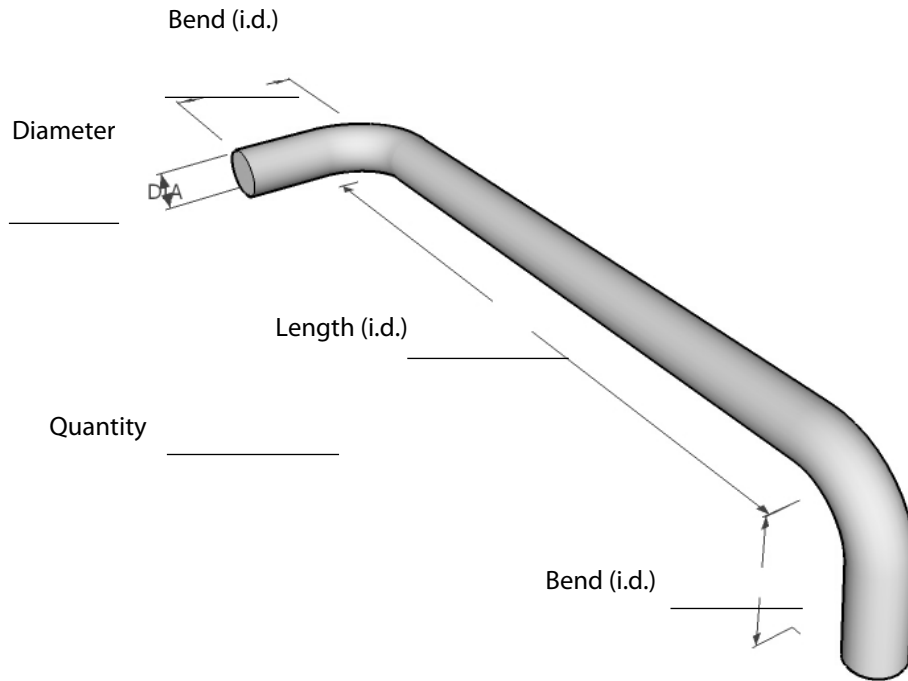
WebSite: [www.heckmannanchors.com](http://www.heckmannanchors.com)

E-Mail: [info@heckmannanchors.com](mailto:info@heckmannanchors.com)

To: Heckmann Sales Department

From:

**#164 Offset Type Anchor Rod**



Steel Type (click on one)

Notes