



Heckmann Building Products Inc.

1501 N. 31st Avenue

Melrose Park, IL 60160-2911

800-621-4140 or 708-865-2403 Fax: 708-865-2640

www.heckmannbuildingprods.com

**SUBMITTAL SHEET:
#166-A J-TYPE ROD ANCHOR WITH
BEND**

Made to Order:

Specify Diameter of material (Available in 1/8", 3/16", 1/4", 3/8", 1/2", 5/8").

Specify Length: Shank Length to inside of J-Hook
Specify opening of J-Hook

Specify length of the return of the J-Hook measured from i.d. of J-Hook.

Specify i.d. length of bend.

Available in Stainless Steel, Hotdip Galvanized After Fabrication, Electro Galvanized after Fabrication, Mill Galvanized (3/16" and 1/4" only), or Plain Steel.

Stainless Steel:

Sheet metal anchors and ties: ASTM A 167 AISI Type 304.

Plate and bent bar anchors: ASTM A 666 AISI Type 304.

Wire ties and anchors: ASTM A 580 AISI Type 304.

Hotdip Galvanized:

ASTM A 153 Class B-2: (1.50 oz/ ft²)(0.46kg/m²)

Mill Galvanized:

Sheet metal anchors and ties: ASTM A 653 G60

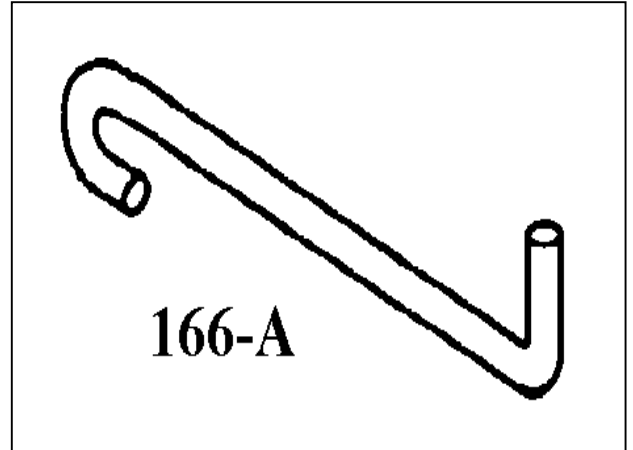
Wire: ASTM A 641 (0.1 oz/ ft².)

Plain Steel:

Sheet Metal anchors and ties: ASTM A 569, ASTM A 366.

Plates, bars, and shapes: ASTM A 123, ASTM A 36.

Wire: ASTM A 82, ASTM A 82-95a.



Approvals:

Comments: