



Heckmann Building Products Inc.

1501 N. 31st Avenue

Melrose Park, IL 60160-2911

800-621-4140 or 708-865-2403 Fax: 708-865-2640

www.heckmannbuildingprods.com

SUBMITTAL SHEET: #167 SERIES EYE ROD ANCHORS

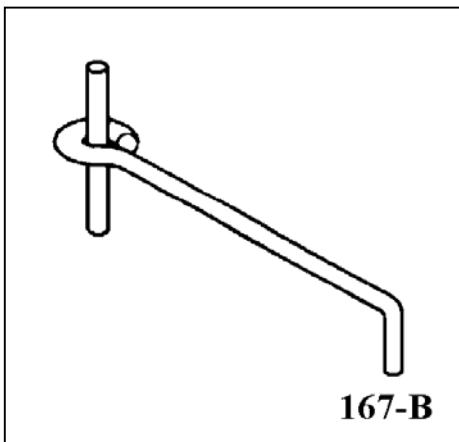
Made to Order:

Specify Diameter of material (Available in 1/8", 3/16", 1/4", 3/8", 1/2", 5/8").

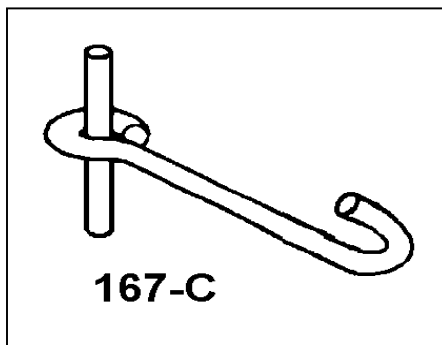
Specify Length: Shank Length to inside of Eye
Specify opening of Eye

Specify inside dimension of bend (#167-A and #167-B only)

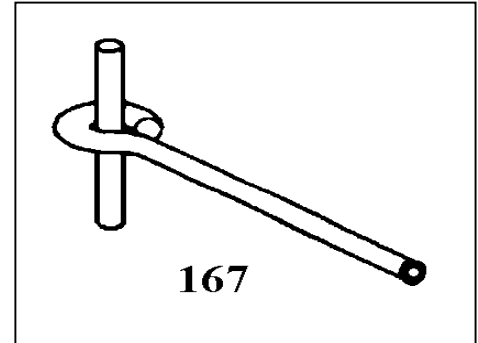
Specify opening and return of J-Hook (#167-C only)
Available in Stainless Steel, Hotdip Galvanized After Fabrication, Electro Galvanized After Fabrication, Mill Galvanized (3/16" and 1/4" only), or Plain Steel.



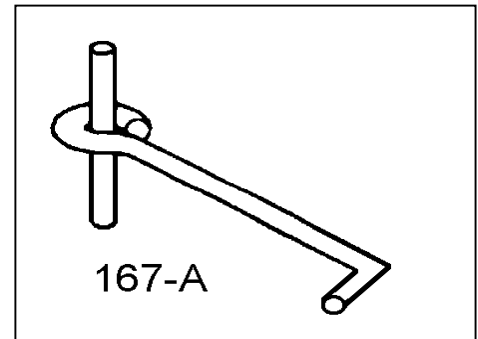
167-B



167-C



167



167-A

Stainless Steel:

Sheet metal anchors and ties: ASTM A 167 AISI Type 304.

Plate and bent bar anchors: ASTM A 666 AISI Type 304.

Wire ties and anchors: ASTM A 580 AISI Type 304.

Hotdip Galvanized:

ASTM A 153 Class B-2: (1.50 oz/ ft²)(0.46kg/m²)

Mill Galvanized:

Sheet metal anchors and ties: ASTM A 653 G60

Wire: ASTM A 641 (0.1 oz/ ft².)

Plain Steel:

Sheet Metal anchors and ties: ASTM A 569, ASTM A 366.

Plates, bars, and shapes: ASTM A 123, ASTM A 36.

Wire: ASTM A 82, ASTM A 82-95a.

Approvals:

Comments: