



Heckmann Building Products Inc.

1501 N. 31st Avenue

Melrose Park, IL 60160-2911

800-621-4140 or 708-865-2403 Fax: 708-865-2640

www.heckmannbuildingprods.com

SUBMITTAL SHEET: #170 ANCHOR BOLTS

Standard Sizes: Anchor Bolts have a minimum 1" i.d. bend and minimum 2-1/2" of threads. They are available in Plain A-36 steel, or Hotdip Galvanized After Fabrication.

3/8" Diameter 6", 8", 10", 12", 14", 16"

1/2" Diameter 6", 8", 10", 12", 14", 16", 18"

5/8" Diameter 6", 8", 10", 12", 14", 16", 18", 20", 22"

Special Lengths and Diameters are available upon request. Specify Length, Diameter, Bend Length, Thread Length, and Type of Steel.

Specials also available in Stainless Steel.

Anchor bolts are sold with nut and washer unless otherwise specified. (Hotdip Anchor bolts require an oversized nut)

Stainless Steel:

Sheet metal anchors and ties: ASTM A 167 AISI Type 304.

Plate and bent bar anchors: ASTM A 666 AISI Type 304.

Wire ties and anchors: ASTM A 580 AISI Type 304.

Hotdip Galvanized:

ASTM A 153 Class B-2: (1.50 oz/ ft²)(0.46kg/m²)

Mill Galvanized:

Sheet metal anchors and ties: ASTM A 653 G60

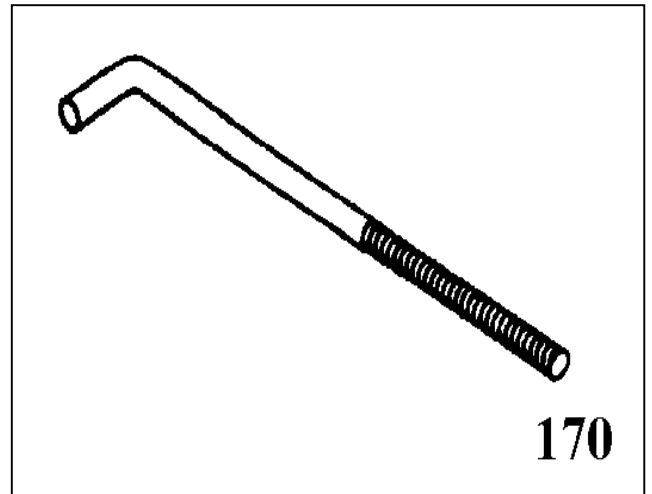
Wire: ASTM A 641 (0.1 oz/ ft².)

Plain Steel:

Sheet Metal anchors and ties: ASTM A 569, ASTM A 366.

Plates, bars, and shapes: ASTM A 123, ASTM A 36.

Wire: ASTM A 82, ASTM A 82-95a.



Approvals:

Comments: