



Heckmann Building Products Inc.

1501 N. 31st Avenue

Melrose Park, IL 60160-2911

800-621-4140 or 708-865-2403 Fax: 708-865-2640

www.heckmannbuildingprods.com

SUBMITTAL SHEET: #191 TOP FLANGE BEAM ANCHOR #192 BOTTOM FLANGE BEAM ANCHOR (beam flanges perpendicular to wall)

Usual dimensions are 1/8" thick x 1 1/4" wide x 10", 12", or 14" long. Bend is 1-1/2" i.d. Special sizes are available.

Available in Hotdip Galvanized after Fabrication for exterior walls or Mill Galvanized for interior walls.

If there is an airspace between the column and the wall then the two straps should be welded or bolted to the column to prevent movement from compression. Optional holes available for bolting to column.

Stainless Steel:

Sheet metal anchors and ties: ASTM A 167 AISI Type 304.

Plate and bent bar anchors: ASTM A 666 AISI Type 304.

Wire ties and anchors: ASTM A 580 AISI Type 304.

Hotdip Galvanized:

ASTM A 153 Class B-2: (1.50 oz/ ft²).(0.46kg/m²)

Mill Galvanized:

Sheet metal anchors and ties: ASTM A 653 G60

Wire: ASTM A 641 (0.1 oz/ ft².)

Plain Steel:

Sheet Metal anchors and ties: ASTM A 569, ASTM A 366.

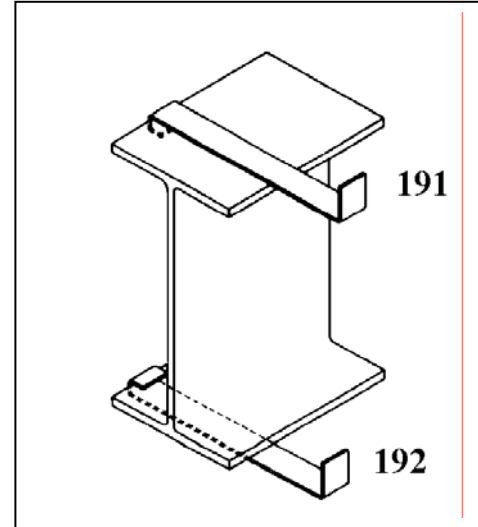
Plates, bars, and shapes: ASTM A 123, ASTM A 36.

Wire: ASTM A 82, ASTM A 82-95a.

Firewall Anchors:

Rolled Strip Zinc Alloy 710.

(Firewall alloy 1/8" and 16 gage only)



Approvals:

Comments: