



Heckmann Building Products Inc.

**1501 N. 31st Avenue
Melrose Park, IL 60160-2911
800-621-4140 or 708-865-2403**

Fax: 708-865-2640

Date _____

WebSite: www.heckmannanchors.com

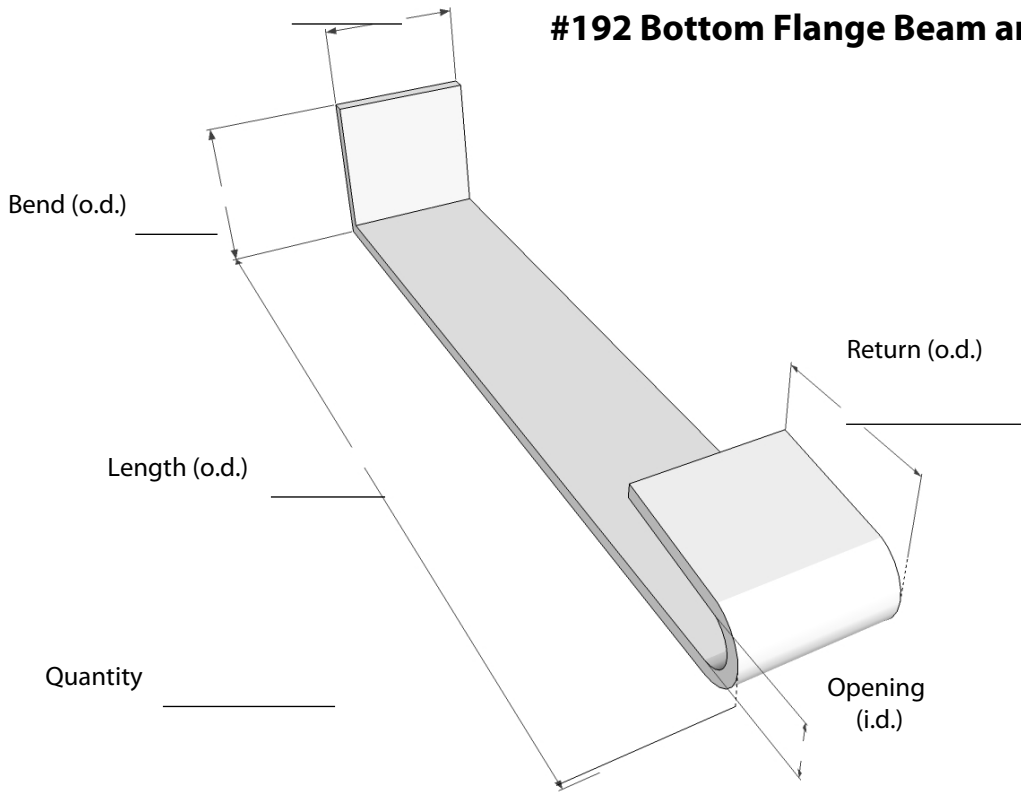
E-Mail: info@heckmannanchors.com

To: Heckmann Sales Department

From:

Width

#192 Bottom Flange Beam and Wall Anchor



Bend (o.d.)

Length (o.d.)

Quantity _____

Return (o.d.)

Opening (i.d.)

Material Thickness (click on one)

Steel Type (click on one)

Notes