



# Heckmann Building Products Inc.

1501 N. 31<sup>st</sup> Avenue

Melrose Park, IL 60160-2911

800-621-4140 or 708-865-2403 Fax: 708-865-2640

[www.heckmannbuildingprods.com](http://www.heckmannbuildingprods.com)

## SUBMITTAL SHEET: #195 TWISTED L-TYPE COLUMN ANCHOR

**Made to Order:** Usually 1/8" thick x 1 1/4" wide with a 1 1/2" bend into the masonry and a 1 1/4" hook at the column. Specify overall length of anchor, length of column flange (this will be the length from the inside of the hook to the start of the twist), and steel type.

Used to anchor masonry walls to structural columns where the column flanges are perpendicular to the masonry wall. Order in Pairs of 1 left and 1 right. For situations of compression loads, anchors should be welded to the column at the time of installation. If unable to weld – holes can be provided for mechanically fastening to the flange.

### **Stainless Steel:**

Sheet metal anchors and ties: ASTM A 167 AISI Type 304.

Plate and bent bar anchors: ASTM A 666 AISI Type 304.

Wire ties and anchors: ASTM A 580 AISI Type 304.

### **Hotdip Galvanized:**

ASTM A 153 Class B-2: (1.50 oz/ ft<sup>2</sup>)(0.46kg/m<sup>2</sup>)

### **Mill Galvanized:**

Sheet metal anchors and ties: ASTM A 653 G60

Wire: ASTM A 641 (0.1 oz/ ft<sup>2</sup>.)

### **Plain Steel:**

Sheet Metal anchors and ties: ASTM A 569, ASTM A 366.

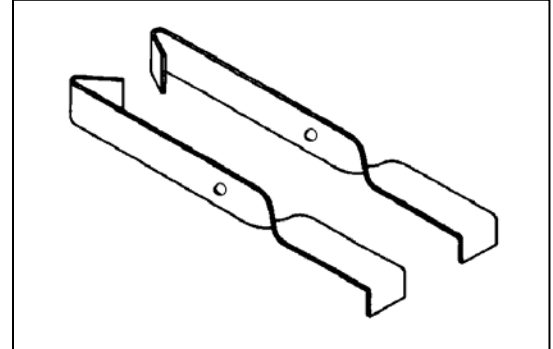
Plates, bars, and shapes: ASTM A 123, ASTM A 36.

Wire: ASTM A 82, ASTM A 82-95a.

### **Firewall Anchors:**

Rolled Strip Zinc Alloy 710.

(Firewall alloy 1/8" and 16 gage only)



Approvals:

Comments: