



Heckmann Building Products Inc.

1501 N. 31st Avenue

Melrose Park, IL 60160-2911

800-621-4140 or 708-865-2403 Fax: 708-865-2640

www.heckmannbuildingprods.com

SUBMITTAL SHEET: #209 T-TYPE ANCHOR ROD

MADE TO ORDER

Specify diameter, length of "T" section, Overall Length of rod, and steel type. Available in Plain Steel, Hotdip Galvanized After Fabrication, or Stainless Steel. Diameters are 1/4", 3/8", 1/2", 5/8", and 3/4".

Stainless Steel:

Sheet metal anchors and ties: ASTM A 167 AISI Type 304.

Plate and bent bar anchors: ASTM A 666 AISI Type 304.

Wire ties and anchors: ASTM A 580 AISI Type 304.

Hotdip Galvanized:

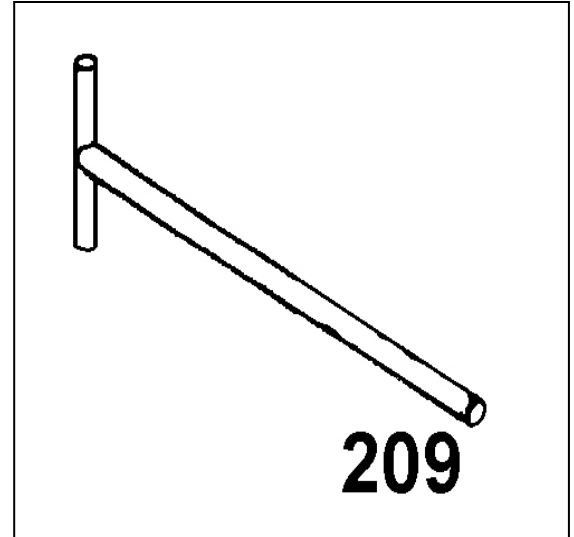
ASTM A 153 Class B-2: (1.50 oz/ ft²)(0.46kg/m²)

Plain Steel:

Sheet Metal anchors and ties: ASTM A 569, ASTM A 366.

Plates, bars, and shapes: ASTM A 123, ASTM A 36.

Wire: ASTM A 82, ASTM A 82-95a.



Approvals:

Comments: