



# Heckmann Building Products Inc.

1501 N. 31<sup>st</sup> Avenue

Melrose Park, IL 60160-2911

800-621-4140 or 708-865-2403 Fax: 708-865-2640

[www.heckmannbuildingprods.com](http://www.heckmannbuildingprods.com)

## SUBMITTAL SHEET: #230 STANDARD FLASHING REGLET

Flashing reglet is the most reliable way to terminate roofing, waterproofing, and flashing in concrete walls. Use at parapet walls and above shelf angles, lintels, and ledges.

Made to Order : 26 gage with 1" and 1/2" flanges. Opening is 1/2" x 1-3/4" deep at a 90° angle into the wall. (Actual depth from face of concrete is 1-1/2".) Length is 10 feet. Available in Mill Galvanized Steel. Supplied foam-filled to prevent concrete from entering the slot during the pour.

Installation: Nail to inside face of concrete forms. The Standard Flashing Reglet is then stripped out of the concrete wall. Roofing or flashing is typically secured in reglet with lead wedges, resilient rod stock, or sealants.

(See Product No. 231 Stay-Put Flashing Reglet for conditions where you wish the flashing to remain in the wall)

### **Stainless Steel:**

Sheet metal anchors and ties: ASTM A 167 AISI Type 304.

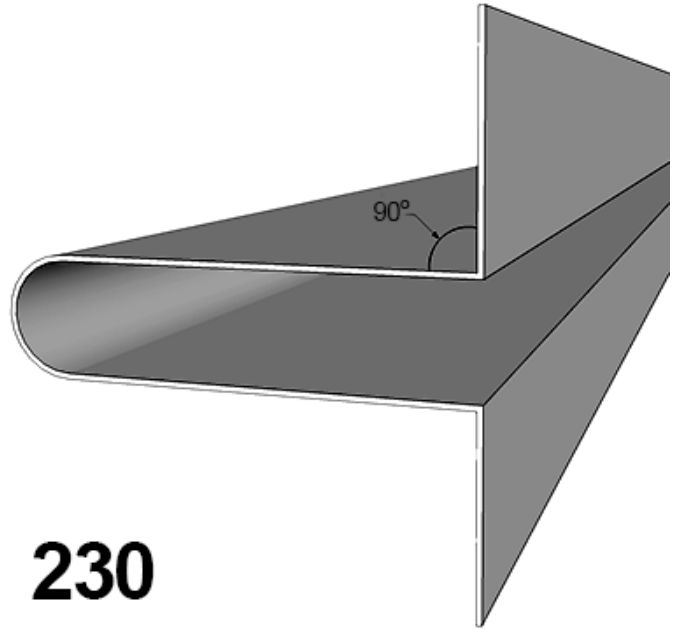
Plate and bent bar anchors: ASTM A 666 AISI Type 304.

Wire ties and anchors: ASTM A 580 AISI Type 304.

### **Mill Galvanized:**

Sheet metal anchors and ties: ASTM A 653 G60

Wire: ASTM A 641 (0.1 oz/ ft<sup>2</sup>.)



# 230

Approvals:

Comments: