



# Heckmann Building Products Inc.

1501 N. 31<sup>st</sup> Avenue

Melrose Park, IL 60160-2911

800-621-4140 or 708-865-2403 Fax: 708-865-2640

[www.heckmannanchors.com](http://www.heckmannanchors.com)

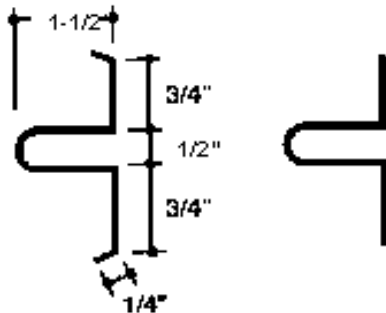
## SUBMITTAL SHEET: #236 RECTANGULAR FLASHING REGLET

**Made to Order:** Typically 26 gage with a 1/2" x 1 1/2" deep slot. The slot is 90° from the 3/4" flanges. Typical length is 10 feet. Available in Stainless Steel or Mill Galvanized Steel. Foam-filler is supplied to prevent concrete from entering the slot during the pour.

Specify 1/4" flanges (shown in left drawing below) for Stay-Put type that remains permanently in the concrete.

Custom sizes are available.

Installation: Nail to inside face of concrete forms. Use double-headed nails to resist damage when forms are stripped.



### **Stainless Steel:**

Sheet metal anchors and ties: ASTM A 167 AISI Type 304.

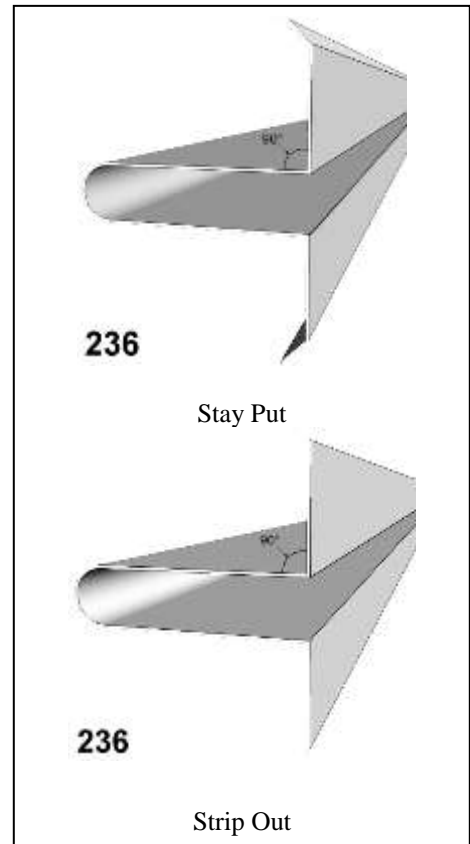
Plate and bent bar anchors: ASTM A 666 AISI Type 304.

Wire ties and anchors: ASTM A 580 AISI Type 304.

### **Mill Galvanized:**

Sheet metal anchors and ties: ASTM A 653 G60

Wire: ASTM A 641 (0.1 oz/ ft<sup>2</sup>.)



Approvals:

Comments: