



Heckmann Building Products Inc.

1501 N. 31st Avenue

Melrose Park, IL 60160-2911

800-621-4140 or 708-865-2403 Fax: 708-865-2640

www.heckmannbuildingprods.com

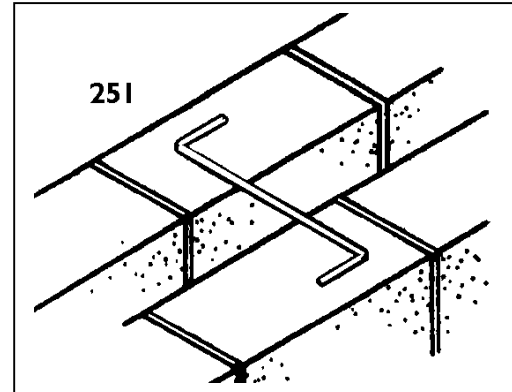
SUBMITTAL SHEET: #251 Z-WIRE WALL TIE

Used for tying two masonry walls.

Standard Sizes: 3/16" and 1/4" diameter wire with 2" bends in lengths of 6", 8", 10", and 12". Hotdip Galvanized After Fabrication and Mill Galvanized.

Custom dimensions are available. Specify bend lengths, overall length, diameter of wire, and type of steel. Stainless Steel is available.

Note: ACI 530-02/ASCE 5-02/TMS 402-02 Building Code Requirements for Masonry Structures states that Wall Ties shall be without cavity drips. These drips reduce the compression capacity of the wall ties. Due to this new code requirement, we have eliminated our #250 Z-Cavity Wall Tie With Drip.



Stainless Steel:

Sheet metal anchors and ties: ASTM A 167 AISI Type 304.

Plate and bent bar anchors: ASTM A 666 AISI Type 304.

Wire ties and anchors: ASTM A 580 AISI Type 304.

Hotdip Galvanized:

ASTM A 153 Class B-2: (1.50 oz/ ft²)(0.46kg/m²)

Mill Galvanized:

Sheet metal anchors and ties: ASTM A 653 G60

Wire: ASTM A 641 (0.1 oz/ ft².)

Plain Steel:

Sheet Metal anchors and ties: ASTM A 569, ASTM A 366.

Plates, bars, and shapes: ASTM A 123, ASTM A 36.

Wire: ASTM A 82, ASTM A 82-95a.

Approvals:

Comments: