



Heckmann Building Products Inc.

1501 N. 31st Avenue

Melrose Park, IL 60160-2911

800-621-4140 or 708-865-2403 Fax: 708-865-2640

www.heckmannbuildingprods.com

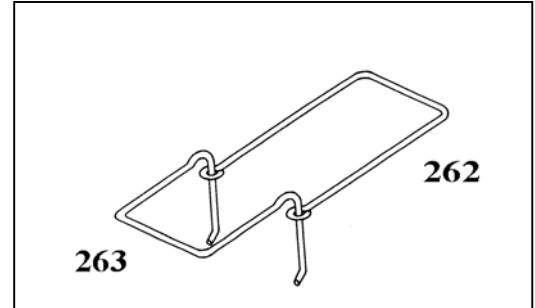
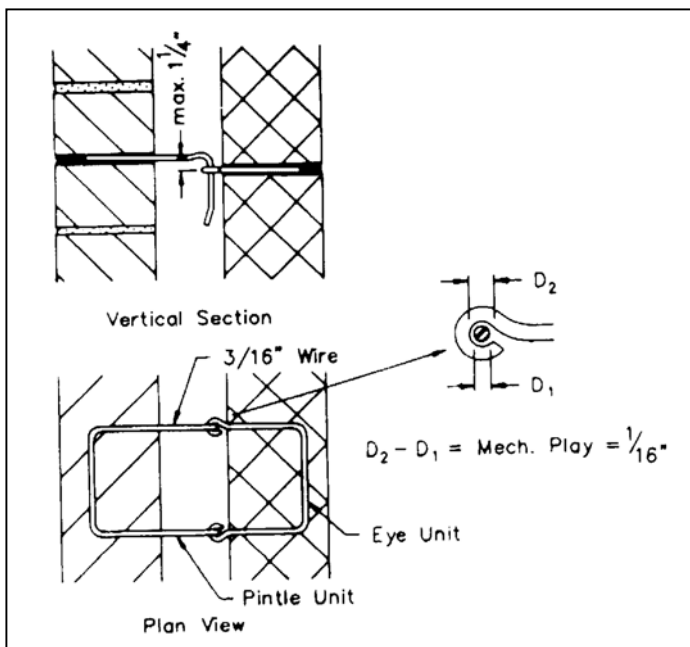
SUBMITTAL SHEET: #262 DOUBLE EYE ROD ANCHOR #263 DOUBLE ANCHOR TIE (PINTLE)

STANDARD SIZES: 3/16" Diameter wire 2-1/2" wide - Available in Mill Galvanized Steel and Hotdip Galvanized After Fabrication.

#262 Eye Rods have 1/4" i.d. eyes and are Available 2-3/4" long and 4-3/4" long.

#263 Pintles have 2-1/2" bends for adjustment and are Available 3-1/4" long, 4-3/4" long and 5-1/4" long.

Note: Vertical adjustment from plane of two anchors must not exceed 1 1/4".



Stainless Steel:

Sheet metal anchors and ties: ASTM A 167 AISI Type 304.

Plate and bent bar anchors: ASTM A 666 AISI Type 304.

Wire ties and anchors: ASTM A 580 AISI Type 304.

Hotdip Galvanized:

ASTM A 153 Class B-2: (1.50 oz/ ft²)(0.46kg/m²)

Mill Galvanized:

Sheet metal anchors and ties: ASTM A 653 G60

Wire: ASTM A 641 (0.1 oz/ ft²)

Plain Steel:

Sheet Metal anchors and ties: ASTM A 569, ASTM A 366.

Plates, bars, and shapes: ASTM A 123, ASTM A 36.

Wire: ASTM A 82, ASTM A 82-95a.

Approvals:

Comments: