



Heckmann Building Products Inc.

1501 N. 31st Avenue

Melrose Park, IL 60160-2911

800-621-4140 or 708-865-2403 Fax: 708-865-2640

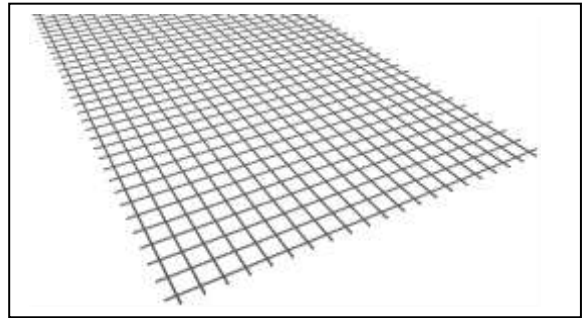
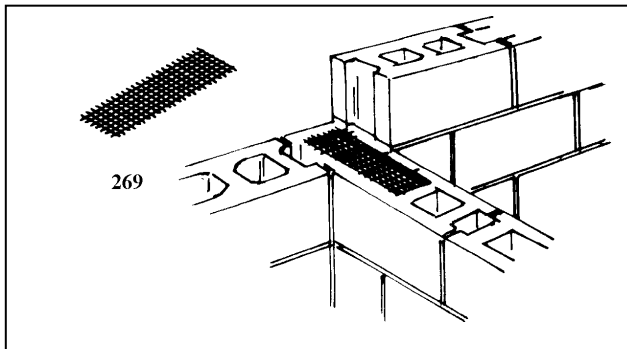
www.heckmannanchors.com

SUBMITTAL SHEET: #269 WIRE MESH WALL TIES

2 X 2 (1/2" (12MM)) X 16 gage welded wire mesh material.

Custom made sizes – specify length and width.

Available in Hotdip Galvanized After Fabrication or Stainless Steel.



Stainless Steel:

ASTM E 2016-11

Hotdip Galvanized After Fabrication:

ASTM A 153 Class B-2: (1.50 oz/ ft²)(0.46kg/m²)

Approvals:

Comments: