



# Heckmann Building Products Inc.

1501 N. 31<sup>st</sup> Avenue

Melrose Park, IL 60160-2911

800-621-4140 or 708-865-2403 Fax: 708-865-2640

[www.heckmannbuildingprods.com](http://www.heckmannbuildingprods.com)

## SUBMITTAL SHEET: #284 ADJUSTABLE SLOTTED STONE ANCHOR

### MADE TO ORDER

**Thickness:** 1/4", 3/16", 1/8", 11 gage, 12 gage, & 16 gage.

**Strap Width:** Minimum 2-1/2" wide recommended.

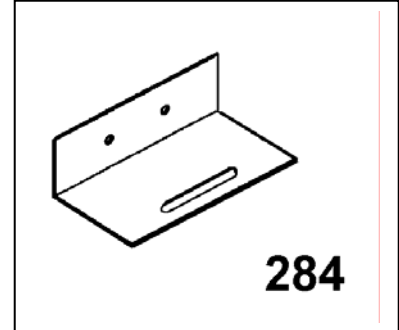
**Length:** Specify length as the inside dimensions between the bend with holes and the end of the anchor.

**Bend with Holes:** 1-1/2" minimum recommended. Specify diameter and spacing of holes. Holes should be 1/16" bigger than the bolt used. (3/8" diameter bolt would require a 7/16" diameter hole)

**Slot:** Typically 1/4" or 3/16" x 1-1/2". Specify location from center of slot to end of anchor.

Available in Stainless Steel, Hotdip Galvanized After Fabrication, Electro Galvanized After Fabrication, or Plain Steel. Stainless Steel recommended for any exterior stone application.

Use Heckmann #145, #140, or #141 Stone Anchors for the anchor going into the stone.



Approvals:

Comments:

#### **Stainless Steel:**

Sheet metal anchors and ties: ASTM A 167 AISI Type 304.

Plate and bent bar anchors: ASTM A 666 AISI Type 304.

Wire ties and anchors: ASTM A 580 AISI Type 304.

#### **Hotdip Galvanized:**

ASTM A 153 Class B-2: (1.50 oz/ ft<sup>2</sup>).(0.46kg/m<sup>2</sup>)

#### **Mill Galvanized:**

Sheet metal anchors and ties: ASTM A 653 G60

Wire: ASTM A 641 (0.1 oz/ ft<sup>2</sup>.)

#### **Plain Steel:**

Sheet Metal anchors and ties: ASTM A 569, ASTM A 366.

Plates, bars, and shapes: ASTM A 123, ASTM A 36.

Wire: ASTM A 82, ASTM A 82-95a.

#### **Firewall Anchors:**

Rolled Strip Zinc Alloy 710.

(Firewall alloy 1/8" and 16 gage only)