



# Heckmann Building Products Inc.

1501 N. 31<sup>st</sup> Avenue

Melrose Park, IL 60160-2911

800-621-4140 or 708-865-2403 Fax: 708-865-2640

[www.heckmannbuildingprods.com](http://www.heckmannbuildingprods.com)

## SUBMITTAL SHEET: #295 Z-TYPE GRANITE ANCHOR WITH SLOT

### MADE TO ORDER

**Thickness:** ¼", 3/16", 1/8", 11 gage, 12 gage, & 16 gage.

**Strap Width:** 1-1/4" minimum recommended.

**Length:** Specify length as the inside dimensions between the bends.

**Bend with Slot:** 1-1/2" minimum recommended. The bend should be at least ½" longer than the slot length for 1/8" thick and lighter, and 1" longer for 3/16" and ¼". Specify exact location of slot in bend. (Slots are available horizontal or vertical)

#### Standard slot sizes:

3/16" x 5/8"    3/16" x 3/4"    3/16" x 1"

1/4" x 3/4"    1/4" x 1"

5/16" x 5/8"    5/16" x 3/4"    5/16" x 1"

5/16" x 1-1/4"

3/8" x 1/2"    3/8" x 3/4"

7/16" x 1"    7/16" x 1-1/4"    7/16" x 1-1/2"

9/16" x 1"    9/16" x 1-1/2"

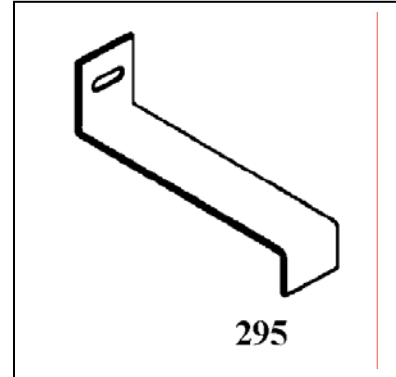
5/8" x 1-9/16"    11/16" x 1-1/2"

3/4" x 1-9/16"    13/16" x 1-1/2"    7/8" x 1-9/16"

1" x 1-1/2"

**Bend Length:** Minimum 3/4" recommended (specify as i.d. dimension). 1-1/4" for 3/16" and heavier.

Available in Stainless Steel, Hotdip Galvanized After Fabrication, Electro Galvanized After Fabrication, or Plain Steel. Stainless Steel recommended for any exterior stone application.



#### Stainless Steel:

Sheet metal anchors and ties: ASTM A 167 AISI Type 304.

Plate and bent bar anchors: ASTM A 666 AISI Type 304.

Wire ties and anchors: ASTM A 580 AISI Type 304.

#### Hotdip Galvanized:

ASTM A 153 Class B-2: (1.50 oz/ ft<sup>2</sup>).(0.46kg/m<sup>2</sup>)

#### Mill Galvanized:

Sheet metal anchors and ties: ASTM A 653 G60

Wire: ASTM A 641 (0.1 oz/ ft<sup>2</sup>)

#### Plain Steel:

Sheet Metal anchors and ties: ASTM A 569, ASTM A 366.

Plates, bars, and shapes: ASTM A 123, ASTM A 36.

Wire: ASTM A 82, ASTM A 82-95a.

#### Firewall Anchors:

Rolled Strip Zinc Alloy 710.

(Firewall alloy 1/8" and 16 gage only)

Approvals:

Comments: