



# Heckmann Building Products Inc.

1501 N. 31<sup>st</sup> Avenue

Melrose Park, IL 60160-2911

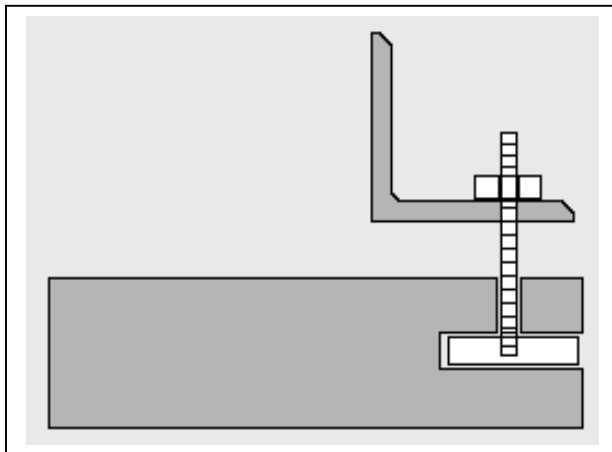
800-621-4140 or 708-865-2403 Fax: 708-865-2640

[www.heckmannbuildingprods.com](http://www.heckmannbuildingprods.com)

## SUBMITTAL SHEET: NO. 298 THREADED BARREL ANCHOR

Used for stone attachments. Threaded Barrel is 3/4" (19 mm) diameter x 3" (76 mm) long with a 3/8" (9.5 mm) diameter continuous threaded rod cut to desired length. Stainless Steel.

Special Sizes Available, but barrel diameter should always be a minimum of 3/8" diameter larger than the diameter of the threaded rod.



### **Stainless Steel:**

Sheet metal anchors and ties: ASTM A 167 AISI Type 304.

Plate and bent bar anchors: ASTM A 666 AISI Type 304.

Wire ties and anchors: ASTM A 580 AISI Type 304.

### **Hotdip Galvanized:**

ASTM A 153 Class B-2: (1.50 oz/ ft<sup>2</sup>.) (0.46kg/m<sup>2</sup>)

### **Mill Galvanized:**

Sheet metal anchors and ties: ASTM A 653 G60

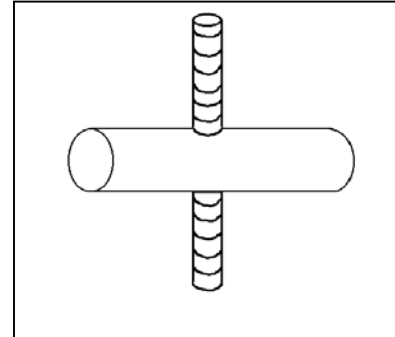
Wire: ASTM A 641 (0.1 oz/ ft<sup>2</sup>.)

### **Plain Steel:**

Sheet Metal anchors and ties: ASTM A 569, ASTM A 366.

Plates, bars, and shapes: ASTM A 123, ASTM A 36.

Wire: ASTM A 82, ASTM A 82-95a.



Approvals:

Comments: