



Heckmann Building Products Inc.

1501 N. 31st Avenue

Melrose Park, IL 60160-2911

800-621-4140 or 708-865-2403 Fax: 708-865-2640

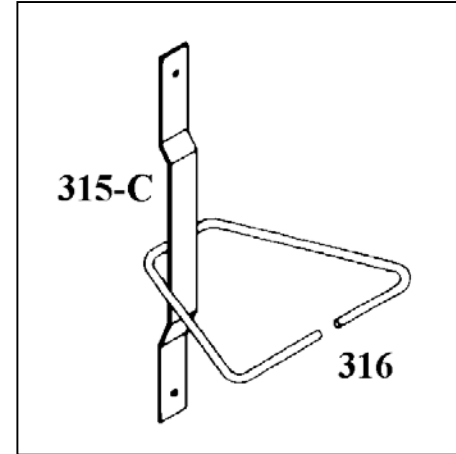
www.heckmannbuildingprods.com

SUBMITTAL SHEET: #315-C SCREW-ON ANCHOR STRAP

Two Standard Sizes: 12 gage x 3/4" wide x 9" Long Overall - 1/4" diameter holes.
12 gage x 7/8" wide x 6-1/2" Long Overall - 1/4" diameter holes.

Available in Plain Steel, Mill Galvanized, Electro Galvanized After Fabrication, Hotdip Galvanized After Fabrication, and Stainless Steel.

For Ties See #316 Triangle Ties and #318 Web Ties



Stainless Steel:

Sheet metal anchors and ties: ASTM A 167 AISI Type 304.

Plate and bent bar anchors: ASTM A 666 AISI Type 304.

Wire ties and anchors: ASTM A 580 AISI Type 304.

Hotdip Galvanized:

ASTM A 153 Class B-2: (1.50 oz/ ft²)(0.46kg/m²)

Mill Galvanized:

Sheet metal anchors and ties: ASTM A 653 G60

Wire: ASTM A 641 (0.1 oz/ ft².)

Plain Steel:

Sheet Metal anchors and ties: ASTM A 569, ASTM A 366.

Plates, bars, and shapes: ASTM A 123, ASTM A 36.

Wire: ASTM A 82, ASTM A 82-95a.

Approvals:

Comments: