



Heckmann Building Products Inc.

1501 N. 31st Avenue

Melrose Park, IL 60160-2911

800-621-4140 or 708-865-2403 Fax: 708-865-2640

www.heckmannbuildingprods.com

SUBMITTAL SHEET: #315 WELD-ON ANCHOR ROD

Welded to Steel Columns. Used with #316 Triangle Ties or #318 Web Ties to attach CMU or Brick to the Steel Columns.

Standard Size: 1/4" diameter x 9" Long Overall
Offset is 3/8" and provides 4" vertical adjustment.

Available in Plain Steel, Mill Galvanized, Electro Galvanized After Fabrication, Hotdip Galvanized After Fabrication, and Stainless Steel.

Stainless Steel:

Sheet metal anchors and ties: ASTM A 167 AISI Type 304.

Plate and bent bar anchors: ASTM A 666 AISI Type 304.

Wire ties and anchors: ASTM A 580 AISI Type 304.

Hotdip Galvanized:

ASTM A 153 Class B-2: (1.50 oz/ ft²)(0.46kg/m²)

Mill Galvanized:

Sheet metal anchors and ties: ASTM A 653 G60

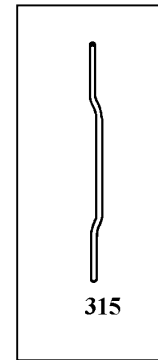
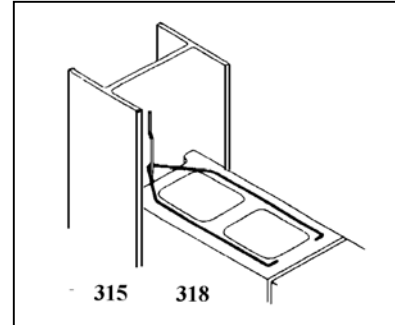
Wire: ASTM A 641 (0.1 oz/ ft²).

Plain Steel:

Sheet Metal anchors and ties: ASTM A 569, ASTM A 366.

Plates, bars, and shapes: ASTM A 123, ASTM A 36.

Wire: ASTM A 82, ASTM A 82-95a.



Approvals:

Comments:

| | Tension | Compression 1" cavity 3" triangle | Compression 2" cavity 4" triangle |
|---------------|-----------------------|--------------------------------------|--------------------------------------|
| R.E.E.L Loads | 233 lbs | 731 lbs | 615 lbs |
| deflection | .050 in. (1.27mm) | .027 in. (.686mm) | .032 in. (.813mm) |
| R.E.M. Loads | 816 lbs | 1,159 lbs | 702 lbs |
| deflection | .308 in. (7.823mm) | .060 in. (1.524mm) | .041 in. (1.041mm) |
| Peak Loads | 816 lbs | 1,159 lbs | 727 lbs |
| deflection | .308 in. (7.823mm) | .272 in. (6.91mm) | .107 in. (2.718mm) |