



Heckmann Building Products Inc.

1501 N. 31st Avenue

Melrose Park, IL 60160-2911

800-621-4140 or 708-865-2403 Fax: 708-865-2640

www.heckmannbuildingprods.com

SUBMITTAL SHEET:

#318 WEB TIES

Used with #315 Weld-On Rods or #315-B Weld-On Straps when welded to the web of a beam.

#318 Web Ties are 3/16" diameter wire x 12" Long in the following widths:

| Width of Web Tie | Nominal Block Wall Thickness |
|------------------|------------------------------|
| 2-3/8" | 4" |
| 4" | 6" |
| 6" | 8" |
| 8" | 10" |
| 10" | 12" |

(NOTE: New style #318 has a dimple at the end which allows the same #318 to be used with both Wire-Type or Strap-Type Weld-Ons. The product #318-B is no longer in existence.)

Products are available in Mill Galvanized, Hotdip Galvanized After Fabrication, and Stainless Steel.

Stainless Steel:

Sheet metal anchors and ties: ASTM A 167 AISI Type 304.

Plate and bent bar anchors: ASTM A 666 AISI Type 304.

Wire ties and anchors: ASTM A 580 AISI Type 304.

Hotdip Galvanized:

ASTM A 153 Class B-2: (1.50 oz/ ft²)(0.46kg/m²)

Mill Galvanized:

Sheet metal anchors and ties: ASTM A 653 G60

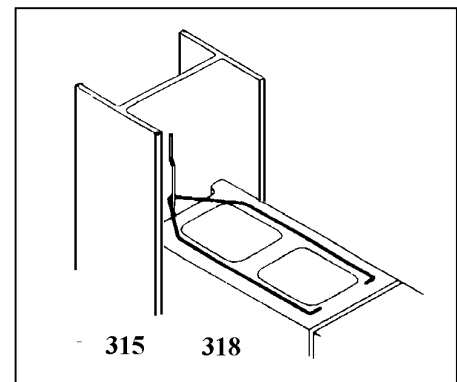
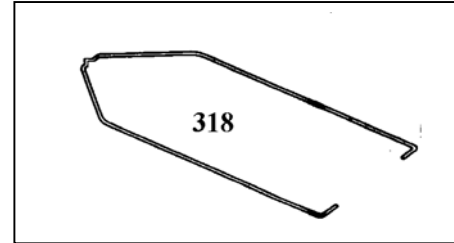
Wire: ASTM A 641 (0.1 oz/ ft².)

Plain Steel:

Sheet Metal anchors and ties: ASTM A 569, ASTM A 366.

Plates, bars, and shapes: ASTM A 123, ASTM A 36.

Wire: ASTM A 82, ASTM A 82-95a.



Approvals:

Comments: