



Heckmann Building Products Inc.

1501 N. 31st Avenue

Melrose Park, IL 60160-2911

800-621-4140 or 708-865-2403 Fax: 708-865-2640

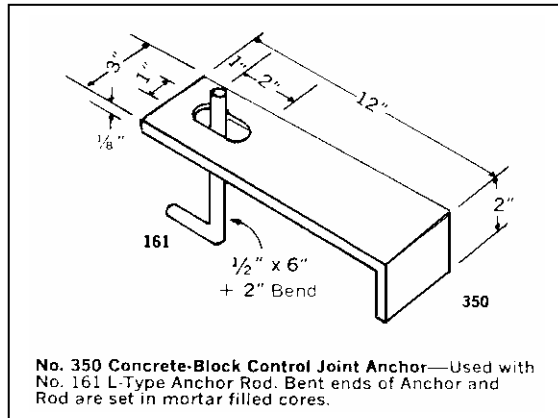
www.heckmannbuildingprods.com

SUBMITTAL SHEET

#350 Heavy Duty Control Joint Anchor Anchor

Standard Anchor is 12" long x 3" wide x 1/8" thick with a 2" bend. The Slot is 2" long x 1" wide. Standard L-Rod is 6" long with a 2" bend and a 1/2" diameter. Available in Hotdip Galvanized After Fabrication, Mill Galvanized, and Stainless Steel. Custom sizes are available.

Out-of-plane shear transfer is 1,500 lbs ultimate capacity. (Value based entirely on the shear and bearing strength of the steel, and assumes both rod and the plate are fully and completely embedded in grout with a minimum of 3,000 psi compressive strength)



Stainless Steel:

Sheet metal anchors and ties: ASTM A 167 AISI Type 304.

Plate and bent bar anchors: ASTM A 666 AISI Type 304.

Wire ties and anchors: ASTM A 580 AISI Type 304.

Hotdip Galvanized:

ASTM A 153 Class B-2: (1.50 oz/ ft²)(0.46kg/m²)

Mill Galvanized:

Sheet metal anchors and ties: ASTM A 653 G60

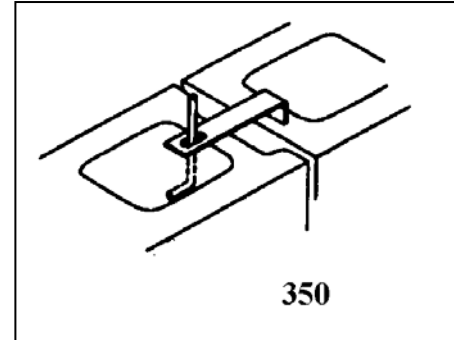
Wire: ASTM A 641 (0.1 oz/ ft².)

Plain Steel:

Sheet Metal anchors and ties: ASTM A 569, ASTM A 366.

Plates, bars, and shapes: ASTM A 123, ASTM A 36.

Wire: ASTM A 82, ASTM A 82-95a.



Approvals:

Comments: