



# Heckmann Building Products Inc.

1501 N. 31<sup>st</sup> Avenue

Melrose Park, IL 60160-2911

800-621-4140 or 708-865-2403 Fax: 708-865-2640

[www.heckmannbuildingprods.com](http://www.heckmannbuildingprods.com)

## SUBMITTAL SHEET: #361 DOVETAIL SEISMIC ANCHOR

Made to Order

Available Thickness: 16ga, 14ga, 12ga, 11ga,  
1/8", and 3/16"

Minimum Width 1".

Minimum Length 2". (Length is measured  
from the face of concrete and does not include  
the Dovetail Section)

Available in Stainless Steel, Hotdip Galvanized  
After Fabrication, Electro Galvanized After  
Fabrication, and Mill Galvanized.

Raised tab in flat section allows for placement  
of Pencil Rod or Masonry Wall Reinforcement.  
This allows for the in plane horizontal and  
vertical movement of the masonry walls while  
restraining tension and compression.

### **Stainless Steel:**

Sheet metal anchors and ties: ASTM A 167 AISI Type  
304.

Plate and bent bar anchors: ASTM A 666 AISI Type 304.

Wire ties and anchors: ASTM A 580 AISI Type 304.

### **Hotdip Galvanized:**

ASTM A 153 Class B-2: (1.50 oz/ ft<sup>2</sup>)(0.46kg/m<sup>2</sup>)

### **Mill Galvanized:**

Sheet metal anchors and ties: ASTM A 653 G60

Wire: ASTM A 641 (0.1 oz/ ft<sup>2</sup>.)

### **Plain Steel:**

Sheet Metal anchors and ties: ASTM A 569, ASTM A 366.

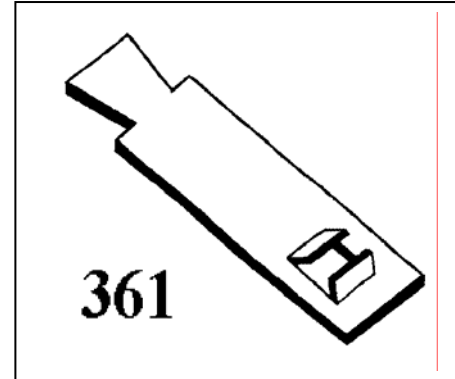
Plates, bars, and shapes: ASTM A 123, ASTM A 36.

Wire: ASTM A 82, ASTM A 82-95a.

### **Firewall Anchors:**

Rolled Strip Zinc Alloy 710.

(Firewall alloy 1/8" and 16 gage only)



Approvals:

Comments: