



1501 N. 31st Avenue  
Melrose Park, IL 60160-2911  
800-621-4140 or 708-865-2403  
FAX: 708-865-2640  
www.heckmannanchors.com  
Email: info@heckmannbuildingprods.com

## ARCHITECTURAL SPECIFICATION INFORMATION

### Heckmann #368: BrickVent™ Moisture Control System:

Moisture and its effects: mold, spalling, and efflorescence are a constant threat to masonry and a serious concern to the construction industry. The BrickVent™ Moisture Control System was designed to combat these threats.

BrickVent™ goes beyond traditional masonry drainage and weep systems on the market today by providing superior ventilation that other products can't match. In addition, builders can rest assured that the product installs easily and correctly, regardless of field conditions.

#### THE SOLUTION FOR...

##### MOLD:

Trapped moisture in an undisturbed environment creates optimal conditions for mold growth.

##### SPALLING/CRACKING:

Freeze/thaw cycle of trapped moisture causes the brick to split or crack, or pieces to pop off.

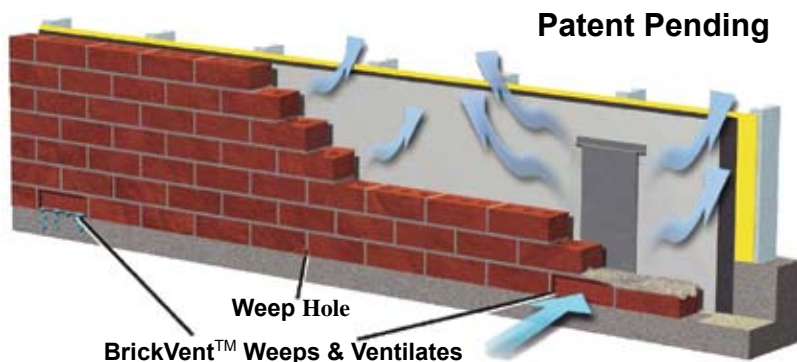
##### EFFLORESCENCE:

Salt in trapped moisture shows itself as a chalky discoloration seeping through the brick.



### BrickVent™ Features:

- **Maximum Ventilation-** Other systems have limited ventilation through small weep holes that may be filled with settling mortar or debris. BrickVent™ has greater airflow volume for maximum ventilation.
- **Easy Installation-** Other systems can be difficult to install and may even make it difficult to lay the brick properly.
- **Excellent Durability-** The “Lower Vent” (colored) portion of the BrickVent™ unit is made of polystyrene fortified with polymers for excellent impact resistance, durability and color retention. The “Backplate” mortar deflector (black portion) is made of recycled polypropylene.
- **Excellent Value-** The cost per building using BrickVent™ is comparable to less effective systems.
- **Retrofit remediation options-** BrickVent™ can be installed in existing brick walls to address excessive moisture content.
- **Peace of Mind-** With other systems, improper installation is common which leads to blocked weep units – rendering the system useless. In most cases other weep units cannot provide assurance of proper installation because the unit is mostly (if not entirely) behind the brick. Although the vertical vent of the BrickVent™ is also concealed behind the brick, it is part of an interlocking unit: seeing the visible portion provides the assurance that the unseen portion is in the proper place to provide clog-free ventilation as designed.





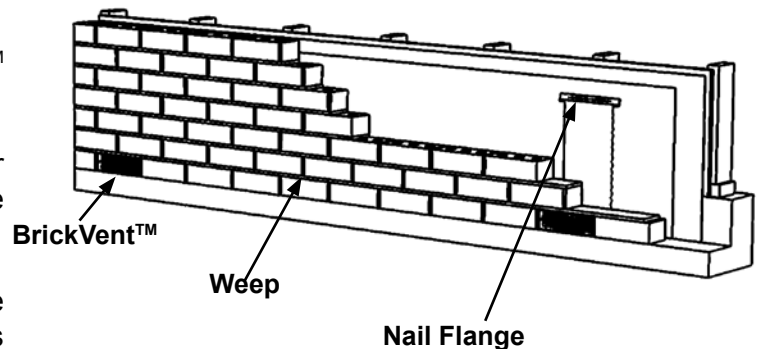
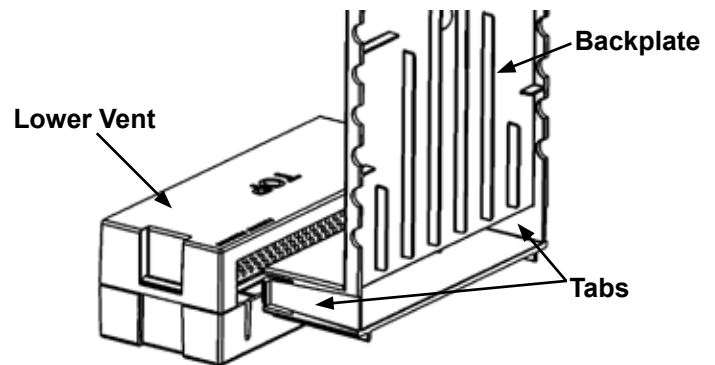
1501 N. 31st Avenue  
Melrose Park, IL 60160-2911  
800-621-4140 or 708-865-2403  
FAX: 708-865-2640  
www.heckmannanchors.com  
Email: info@heckmannbuildingprods.com

## BrickVent™ Installation Instructions:

---

The BrickVent™ Moisture Control System is designed to combat the problems associated with water trapped behind masonry walls. BrickVent™ weeps out moisture and provides ventilation to quickly dry masonry walls. The system is designed for quick and easy installation for masons of any level of experience. Unlike other moisture control products, trash mortar is not a problem because it will not block the BrickVent™ units. This means no other “netting” or mortar blocking products are necessary. In addition, BrickVent™ does not push out the wall because it accommodates for a wide variance in the gap between the structure and brick.

1. The BrickVent™ units are packaged as two separate pieces. They are the lower vent and the backplate. To assemble the units, press in the tabs on either side of the backplate, then slide and snap into lower vent. It may be necessary to snap one side at a time.
2. Lay BrickVent™ units in first or second course flush with outside of masonry wall.
3. Space BrickVent™ units every 64” (8 standard bricks between). Center one BrickVent unit in walls less than 5’ wide.
4. Place weep holes or tubes between BrickVent™ units to satisfy local codes.
5. Adjust backplate so that it rests against exterior sheathing of house. Nail to sheathing of structure through the nail flange of the unit.
6. To protect from dirt and falling mortar, leave cardboard protectors in front of BrickVent™ units until final clean-up.



---

## Other Features:

- Lower Vent size: 7-3/4” x 3” x 2-9/16” (196.85mm x 76.2mm x 65.0875mm)
- Adjustable Vertical Backplate Vent allows for the variance of a 3/8” to 2” wide cavity that may be between the back side of the masonry veneer and the underlying face of the structure.
- Although BrickVent™ comes in three standard colors matching almost any masonry wall, the vents may be painted using any paint designed for use on plastics. Also, the plastic is made for exterior use with UV inhibitors to prevent it from breaking down from exposure to the sun and weather.

For more information on the BrickVent™ Moisture Control System, please visit our website:

**WWW.HECKMANNANCHORS.COM**