



Heckmann Building Products Inc.

1501 N. 31st Avenue

Melrose Park, IL 60160-2911

800-621-4140 or 708-865-2403 Fax: 708-865-2640

www.heckmannanchors.com

SUBMITTAL SHEET: #377 CENTER CAGE VERTICAL ROD POSITIONER

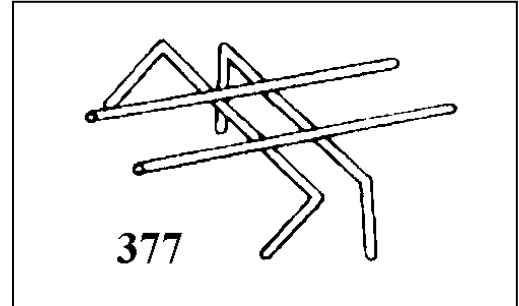
Assists in centering rebar in block walls. Positioners are placed in the first and second course below the top of the wall.

Standard Sizes: Manufactured from 9 gage wire for 8" and 10" block.

Available in Hotdip Galvanized After Fabrication or Mill Galvanized.

Approvals:

Comments:



Hotdip Galvanized:

ASTM A 153 Class B-2: (1.50 oz/ ft².) (0.46kg/m²)

Mill Galvanized:

Sheet metal anchors and ties: ASTM A 653 G60

Wire: ASTM A 641 (0.1 oz/ ft².)