



Heckmann Building Products Inc.

1501 N. 31st Avenue

Melrose Park, IL 60160-2911

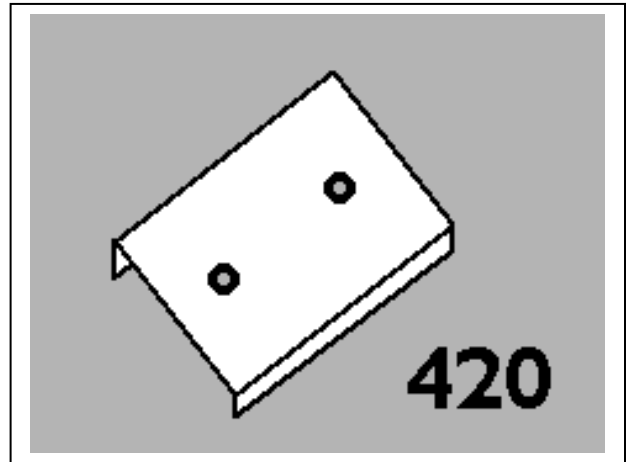
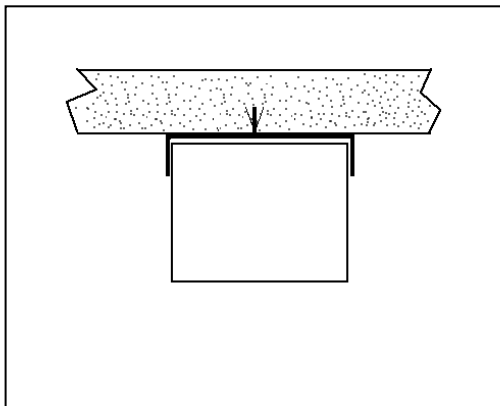
800-621-4140 or 708-865-2403 Fax: 708-865-2640

www.heckmannbuildingprods.com

SUBMITTAL SHEET: No. 420 CAP – MASONRY WALL STABILIZING ANCHOR

Used to resist lateral loads and allow for vertical deflection at the top of a masonry wall. The 420 Cap is supplied with two holes for attachment to a concrete slab with expansion anchors, or without slots for welding to a structural beam. Attach the Cap and slide the CMU between the bends. Available 8" long with 3" bends and 1/8" thick. Specify Block Size and Steel type (Mill Galvanized, Hotdip Galvanized after Fabrication or Stainless Steel.)

Custom Sizes are Available



Approvals:

Comments: