



Heckmann Building Products Inc.

1501 N. 31st Avenue

Melrose Park, IL 60160-2911

800-621-4140 or 708-865-2403 Fax: 708-865-2640

www.heckmannanchors.com

SUBMITTAL SHEET: #568 ELEVATED POST BASE

Unit is embedded in wet concrete with base set at elevation required.

Standard Sizes:

Pipe support is 3/4" diameter pipe x 8" long or 12" long.

Cross Rod is 1/2" diameter x 4" long welded 3" from the bottom.

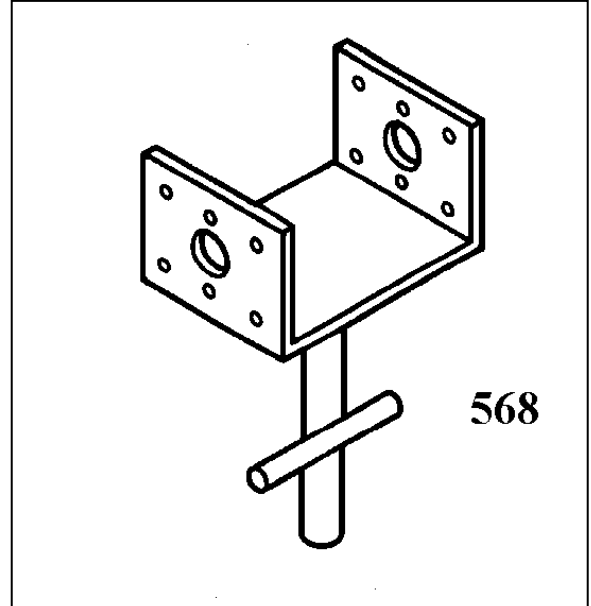
Center holes are 9/16" diameter for 1/2" bolt or lag screws.

Channel is 12 gage.

Std No.	Post Size	Channel Opening	Flange Height
568-44	4 x 4	3 9/16"	3"
568-46	4 x 6	3 9/16"	3"
568-64	4 x 6	5 1/2"	3"
568-66	6 x 6	5 1/2"	3"

Available in Hotdip Galvanized After Fabrication or Stainless Steel

Special Sizes available upon request



Stainless Steel:

Sheet metal anchors and ties: ASTM A 167 AISI Type 304.

Plate and bent bar anchors: ASTM A 666 AISI Type 304.

Wire ties and anchors: ASTM A 580 AISI Type 304.

Hotdip Galvanized:

ASTM A 153 Class B-2: (1.50 oz/ ft²).(0.46kg/m²)

Approvals:

Comments: