



# Heckmann Building Products Inc.

1501 N. 31<sup>st</sup> Avenue

Melrose Park, IL 60160-2911

800-621-4140 or 708-865-2403 Fax: 708-865-2640

[www.heckmannbuildingprods.com](http://www.heckmannbuildingprods.com)

## SUBMITTAL SHEET: 700 Series Anchor Plates, Angles, Lintels and Bent Plates

Used to attach structural members, veneers, or equipment to concrete structures. Plates and Angles can also be used to frame openings in concrete walls or as shelf angles. Use with precast or cast-in-place concrete. **Custom fabricated to your design requirements.** Specify catalog numbers, dimensions, slots, holes, anchors and other requirements.

**Materials & Finishes:** Plain, electro-galvanized, hotdip galvanized, or stainless steel.

**Options:** Holes, slots, gussets, dowels and toe bars. Optional nail holes are typically 3/16" (4.76 mm) dia. and allow anchor plates to be fastened to inside faces of forms. (Note: Punched holes are more economical than drilled holes, but punch diameter must be greater than or equal to the thickness of steel.)

### **Stainless Steel:**

Sheet metal anchors and ties: ASTM A 167 AISI Type 304.

Plate and bent bar anchors: ASTM A 666 AISI Type 304.

Wire ties and anchors: ASTM A 580 AISI Type 304.

### **Hotdip Galvanized:**

ASTM A 153 Class B-2: (1.50 oz/ ft<sup>2</sup>)(0.46kg/m<sup>2</sup>)

### **Mill Galvanized:**

Sheet metal anchors and ties: ASTM A 653 G60

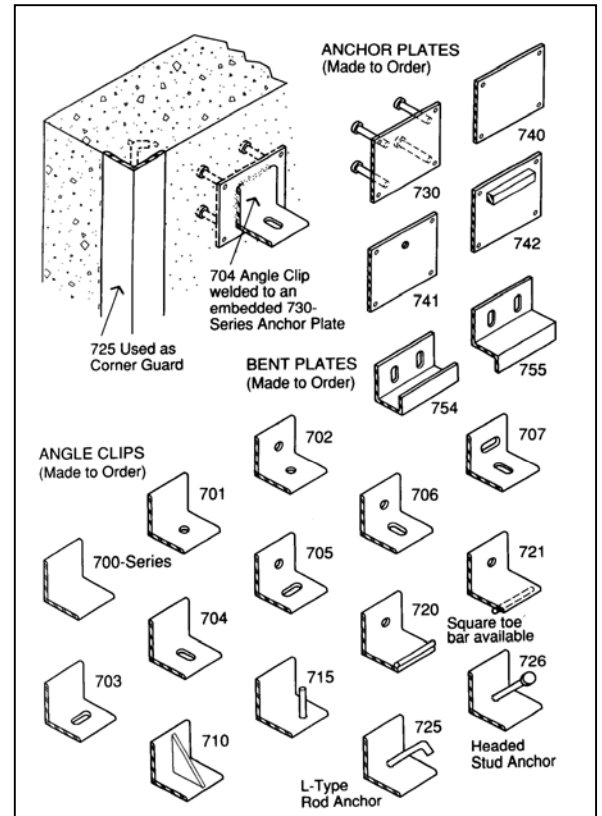
Wire: ASTM A 641 (0.1 oz/ ft<sup>2</sup>.)

### **Plain Steel:**

Sheet Metal anchors and ties: ASTM A 569, ASTM A 366.

Plates, bars, and shapes: ASTM A 123, ASTM A 36.

Wire: ASTM A 82, ASTM A 82-95a.



Approvals:

Comments: