

ARCHITECTURAL SPECIFICATION INFORMATION

#75-KB: Pos-I-Tie® KeyBolt Stone Veneer Anchoring System

The Pos-I-Tie® KeyBolt is designed for easy and effective stone anchor attachment where sheathing/insulation is installed over the backup wall.

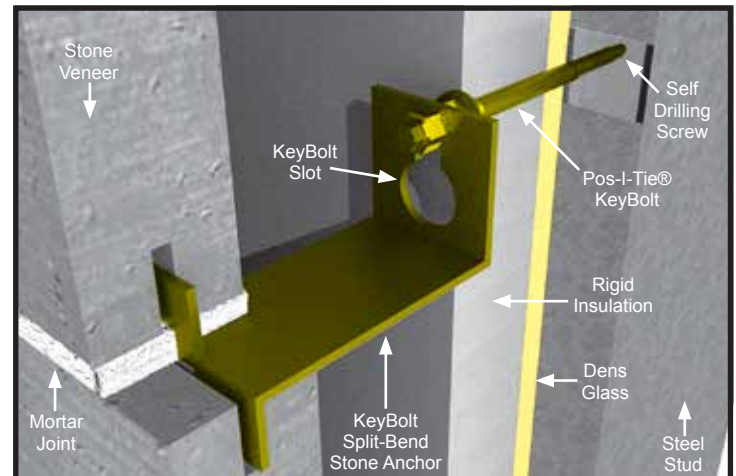
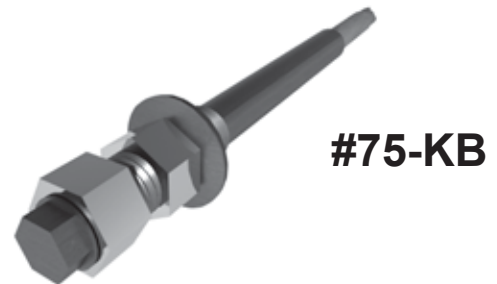
The KeyBolt penetrates the sheathing, drills into the backup and seals the hole to avoid water/air penetration.

All compression loads are transferred to the backup through the KeyBolt without damaging the sheathing.

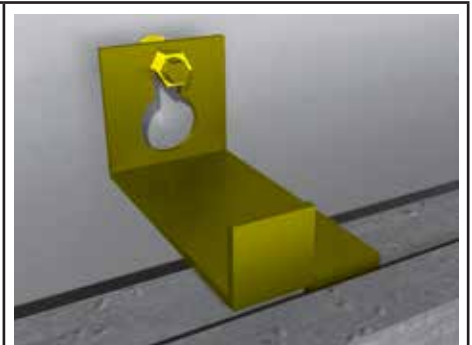
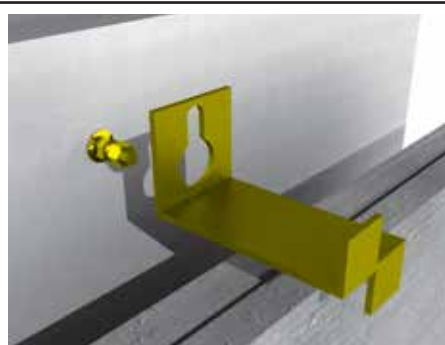
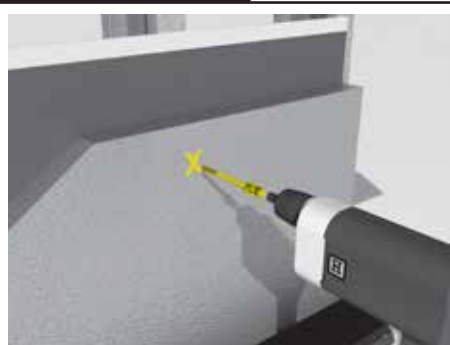
When ordering, specify the type of stone anchor with "KeyBolt Slot".

Available in Stainless Steel for Steel Stud, CMU, Concrete, ICF, Structural Steel & Wood Backups.

Pos-I-Tie® KEYBOLT



Installation

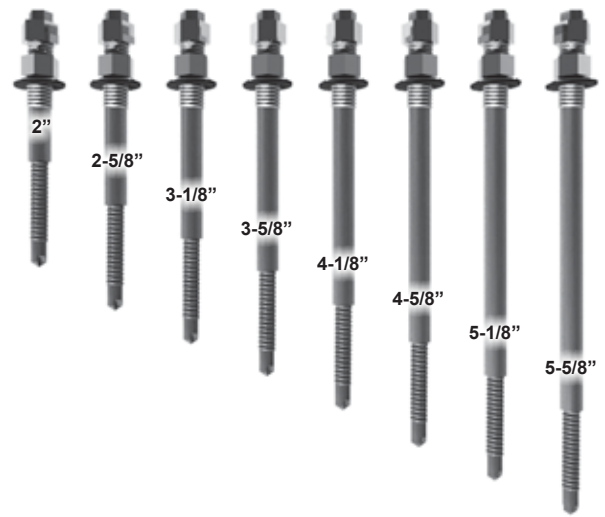


1) Install the Pos-I-Tie® KeyBolt through the insulation and into the backup wall using a power drill and standard 5/16" hex driver. (Pre-drill 3/16" dia. pilot hole for Concrete/CMU)

2) Pass the large keyhole opening of the stone anchor over the head of the KeyBolt. Set the stone anchor so the small keyhole opening sits between the two Hex Nuts.

3) Make sure the bend of the stone anchor is set in the cut-out of the stone veneer panel. Tighten the Hex Nut to secure the stone anchor to the KeyBolt.

Sheathing Thickness	* Barrel Screw Lengths	Catalog Numbers	
		Steel Studs	CMU/ Concrete/ Wood
5/8" -- 1-1/4"	2"	75KBSA	75KBSA CON
1-1/4" -- 2"	2-5/8"	75KBSB	75KBSB CON
2" -- 2-1/2"	3-1/8"	75KBSC	75KBSC CON
2-1/2" -- 3"	3-5/8"	75KBSD	75KBSD CON
3" -- 3-1/2"	4-1/8"	75KBSE	75KBSE CON
3-1/2" -- 4"	4-5/8"	75KBSF	75KBSF CON
4" -- 4-1/2"	5-1/8"	75KB SG	75KB SG CON
4-1/2" -- 5"	5-5/8"	75KB SH	75KB SH CON








8 Barrel lengths are available to accommodate various sheathing thicknesses. Use the chart to the left to determine which barrel length will work best based on the sheathing thickness of your masonry wall makeup.

Visit our website at WWW.HECKMANNANCHORS.COM for installation videos and more information on the **Pos-I-Tie® KeyBolt**.

For regular brick veneer applications, please visit our website for information on: **The Original Pos-I-Tie® Anchoring System & The Pos-I-Tie® Thermal Clip**.

*Assuming a 2" airspace. For applications with smaller airspaces, please contact us for different anchoring solutions.

Stone Anchors				Wire Ties
 #274	 #275-Z	 #275-U	 #276	
<p>Minimum width: 1-1/2". Minimum bend height with keyhole slot: 2-1/4" I.D. Custom shapes are available. Specify stone anchors with the "KeyBolt Slot". Stone anchors are all custom-made and must be designed in accordance with acceptable engineering practices and the recommendations of the stone fabricator. Stone Anchor Engineering Services are available in certain states through Heckmann Building Products for a fee. Call for details.</p>				<p>Available with Stainless Steel Pintle Plate & Stainless Steel Pintle Ties.</p>