



Heckmann Building Products Inc.

1501 N. 31st Avenue
Melrose Park, IL 60160-2911
800-621-4140 or 708-865-2403
Fax: 708-865-2640

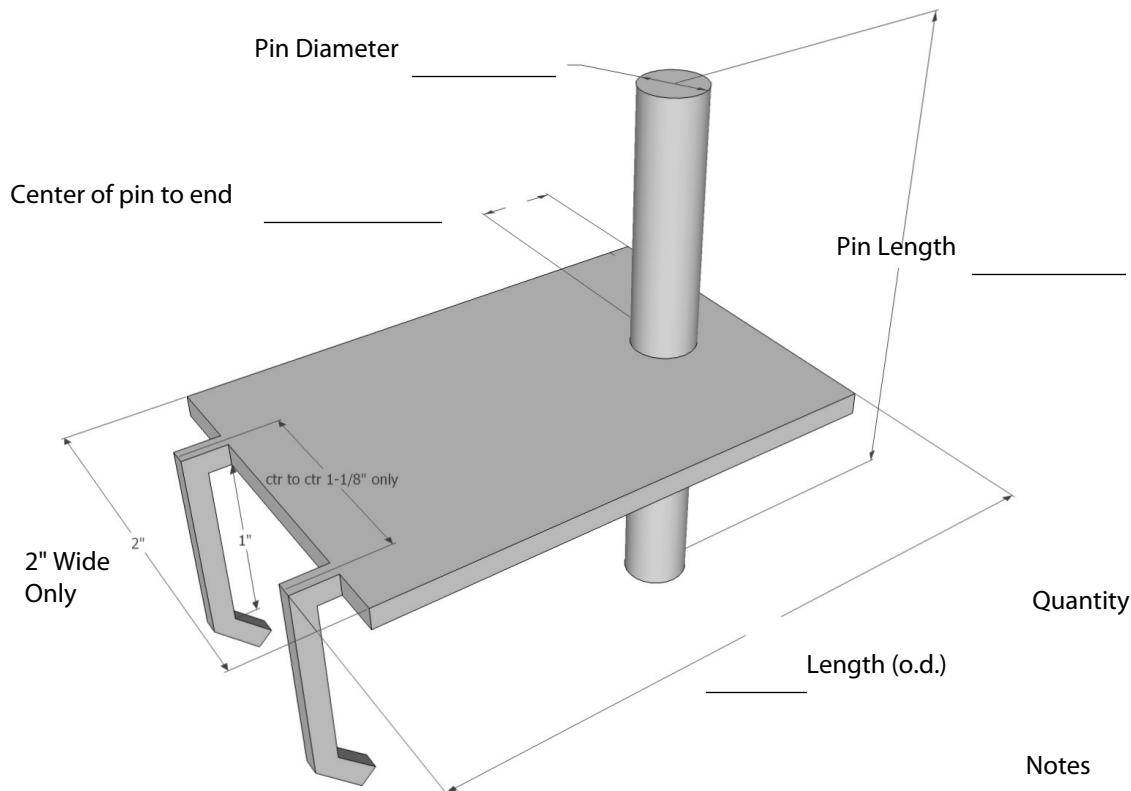
WebSite: www.heckmannanchors.com
E-Mail: info@heckmannanchors.com

Date _____

To: Heckmann Sales Department

From:

#78-P Pin-Type Pintle Stone Anchor



Quantity _____

Notes

Material Thickness (click on one)

Steel Type (click on one)

Pin (click on one)