



Heckmann Building Products Inc.

1501 N. 31st Avenue

Melrose Park, IL 60160-2911

800-621-4140 or 708-865-2403 Fax: 708-865-2640

www.heckmannbuildingprods.com

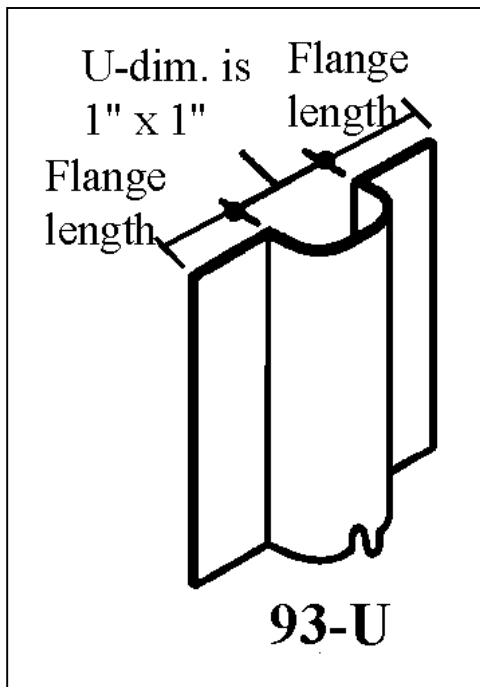
SUBMITTAL SHEET: #93-U U-TYPE CONSTRUCTION JOINT

Made to Order

Used as an Expansion Joint, Water Stop, or Control Joint. Available in Stainless Steel or Mill Galvanized Steel (16, 18, 20, 22, 24, or 26 gage) and Copper (16 oz or 20 oz). Maximum Length 10ft.

Specify the Quantity in lineal feet, length of each piece, type of steel, length of the two flanges.

The "U" opening is 1" across and 1" deep.



Stainless Steel:

Sheet metal anchors and ties: ASTM A 167 AISI Type 304.

Plate and bent bar anchors: ASTM A 666 AISI Type 304.

Wire ties and anchors: ASTM A 580 AISI Type 304.

Hotdip Galvanized:

ASTM A 153 Class B-2: (1.50 oz/ ft²)(0.46kg/m²)

Mill Galvanized:

Sheet metal anchors and ties: ASTM A 653 G60

Wire: ASTM A 641 (0.1 oz/ ft²)

Plain Steel:

Sheet Metal anchors and ties: ASTM A 569, ASTM A 366.

Plates, bars, and shapes: ASTM A 123, ASTM A 36.

Wire: ASTM A 82, ASTM A 82-95a.

Approvals:

Comments: