



Heckmann Building Products Inc.

1501 N. 31st Avenue

Melrose Park, IL 60160-2911

800-621-4140 or 708-865-2403 Fax: 708-865-2640

www.heckmannbuildingprods.com

SUBMITTAL SHEET: #95 TONGUE & GROOVE JOINT

Used as a form or screed for concrete floor slabs. Tongue and groove keyway transfers loads between adjoining slabs and helps maintain slab alignment.

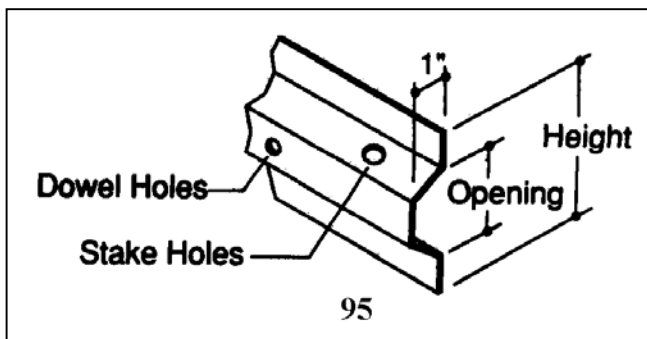
Specify: Gage: 24, 22, 20, 18, or 16 gage.

Height: actual height of the steel joint 3-1/2" minimum to 16" maximum.

Opening: Centered in joint. Opening dimension is 2" in joints 4" high or less and 3" in joints over 4" in height.

Steel Type: Usually ordered in Mill Galvanized but is available in Stainless Steel or 16 ounce Copper for corrosive environments and special conditions.

Optional Holes: Stake Pins - 24" o.c. starting 1-1/2" from ends (6 stake pins per 10 ft. section. Dowel Holes - 30" o.c. starting 15" from ends, enough for 4 dowels per 10 ft.. section. Specify 9/16" or 13/16" holes.



Stainless Steel:

Sheet metal anchors and ties: ASTM A 167 AISI Type 304.

Plate and bent bar anchors: ASTM A 666 AISI Type 304.

Wire ties and anchors: ASTM A 580 AISI Type 304.

Hotdip Galvanized:

ASTM A 153 Class B-2: (1.50 oz/ ft²).(0.46kg/m²)

Mill Galvanized:

Sheet metal anchors and ties: ASTM A 653 G60

Wire: ASTM A 641 (0.1 oz/ ft².)

Plain Steel:

Sheet Metal anchors and ties: ASTM A 569, ASTM A 366.

Plates, bars, and shapes: ASTM A 123, ASTM A 36.

Wire: ASTM A 82, ASTM A 82-95a.

Approvals:

Comments: