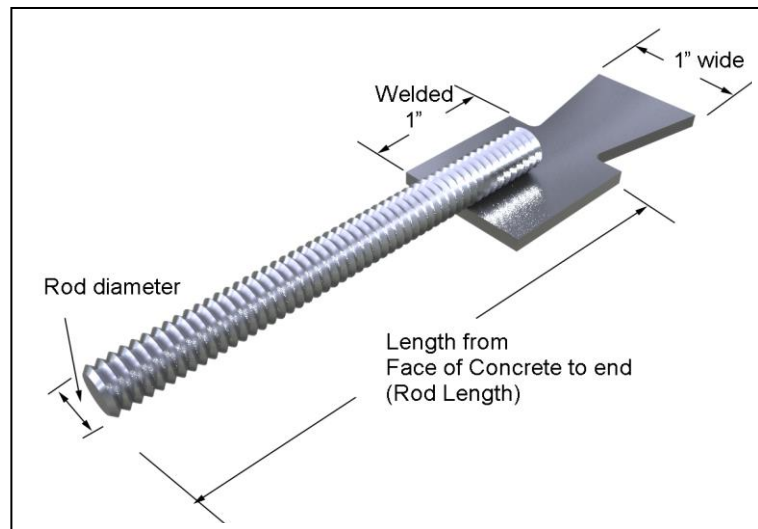


Submittal Sheet
#121 Dovetail Threaded Rod Anchor

Made to Order.

Threaded rod is welded 1" onto a 12 gage Dovetail Clip that is 1" wide and extends 1" from the face of the dovetail slot. Threaded rods are available in diameters of 1/4", 3/8", 1/2", and 5/8". Specify the required length of the rod. Nut and washer are optional.

This system can be used as a brick veneer anchor, as a bolt to extend through the brick veneer wall so signs can be bolted onto the exterior, or as a Masonry Wall Stabilizing Anchor (Use with #421 Plastic Tube and a 3/8" diameter smooth rod)



Standards:

Clip Thickness: 12 gage

Rod Length from face of concrete to end: _____

Rod Diameter: 1/4" 3/8" 1/2" 5/8" 3/4"

Finish: Stainless type 304 Hot Dip Galvanized

Quantity: _____

Material Specifications

Stainless Steel: Sheet metal anchors and ties: ASTM A 167, ASTM A 666, ASTM A 240/A240M AISI Type 304.

Wire ties and anchors: ASTM A 580 AISI Type 304

(AISI Type 316 available upon request)

Hotdip Galvanized: ASTM A 153 Class B-2: (1.50 oz/ ft²).(0.46kg/m²)

Plain Carbon Steel: ASTM A1008/A1008M Structural Steel ASTM A36/A36M-08

Wire: ASTM A 82/A82M Tensile Strengths 80,000 psi Yield Point 70,000 psi