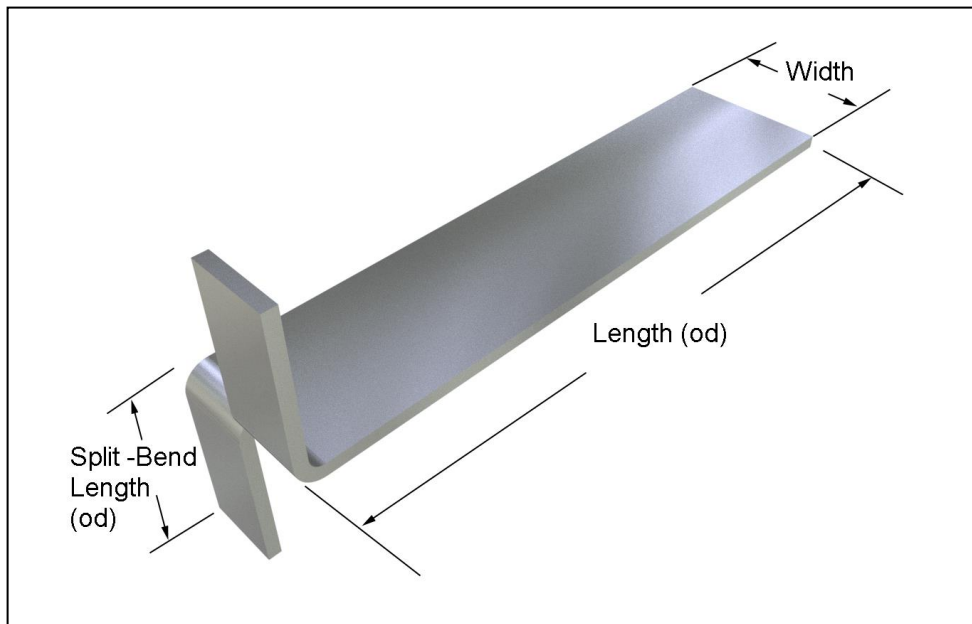


## Submittal Sheet

### #148 Flat Split-Bend Stone Anchor

For tying stone or CMU walls together. Flat section allows for field bending for accurate placement.



#### Made to Order:

Thickness:  3/8"     1/4"     3/16"     1/8"  
 12 gage     14 gage     16 gage

Length (od): \_\_\_\_\_

Width: \_\_\_\_\_

Split-Bend (od): \_\_\_\_\_

Finish:  Stainless type 304     Hot Dip Galvanized  
 Mill Galvanized     Zinc Alloy 710

Quantity: \_\_\_\_\_

#### Material Specifications

**Stainless Steel:** Sheet metal anchors and ties:  
ASTM A 167, ASTM A 666, ASTM A  
240/A240M AISI Type 304.

(AISI Type 316 available upon request)

**Hotdip Galvanized:** ASTM A 153 Class B-2:  
(1.50 oz/ ft<sup>2</sup>)(0.46kg/m<sup>2</sup>)

**Mill Galvanized:** Sheet metal anchors and  
ties: ASTM A 653 G60

**Plain Carbon Steel:** ASTM A1008/A1008M  
Structural Steel ASTM A36/A36M-08

**Firewall Anchors:** Rolled Strip Zinc Alloy 710.  
(Firewall alloy 1/8" and 16 gage only)