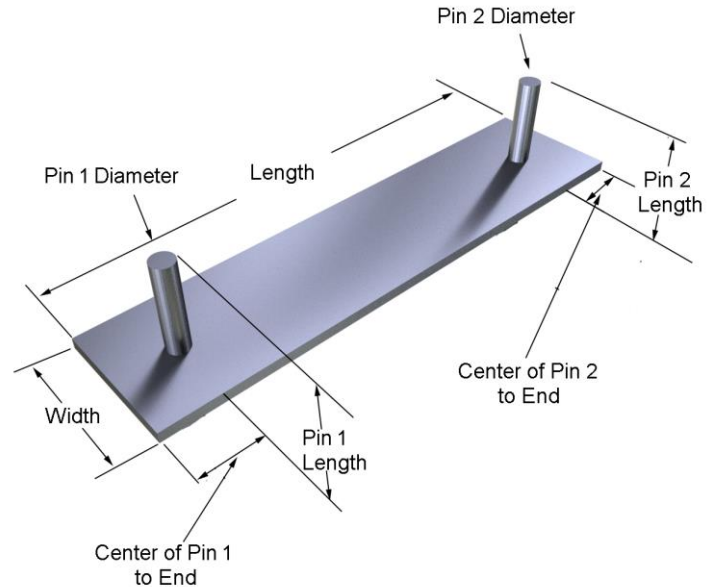


**Submittal Sheet**  
**#154-A Double Half-Pin Stone Anchor**

Specify Location of Pin from center of pin to end. 1/2" minimum of steel between end of anchor and start of hole is recommended.

Pins are welded in place.



**Made to Order**

**Anchor**

Thickness: 3/8"  1/4"  3/16"  1/8"  
 12 gage  14 gage  16 gage

Width: \_\_\_\_\_ Length: \_\_\_\_\_

Pin 1 - Hole Location: Centered \_\_\_\_\_ from end

Pin 2 - Hole Location: Centered \_\_\_\_\_ from end

Finish:  Stainless type 304  Hot Dip Galvanized  
 Mill Galvanized  Plain Steel

**Pin**

Pin 1 Diameter:  1/4"  3/8"  1/2"  5/8"  3/4"

Pin 1 Length: \_\_\_\_\_

Pin 2 Diameter:  1/4"  3/8"  1/2"  5/8"  3/4"

Pin 2 Length: \_\_\_\_\_ Quantity: \_\_\_\_\_

**Material Specifications**

**Stainless Steel:** Sheet metal anchors and ties: ASTM A 167, ASTM A 666, ASTM A 240/A240M AISI Type 304.

Wire ties and anchors: ASTM A 580 AISI Type 304  
 (AISI Type 316 available upon request)

**Hotdip Galvanized:** ASTM A 153 Class B-2: (1.50 oz/ ft<sup>2</sup>).(0.46kg/m<sup>2</sup>)

**Mill Galvanized:** Sheet metal anchors and ties: ASTM A 653 G60

Wire: ASTM A 641 (0.1 oz/ ft<sup>2</sup>.)

**Plain Carbon Steel:** ASTM A1008/A1008M Structural Steel ASTM A36/A36M-08

Wire: ASTM A 82/A82M Tensile Strengths 80,000 psi Yield Point 70,000 psi