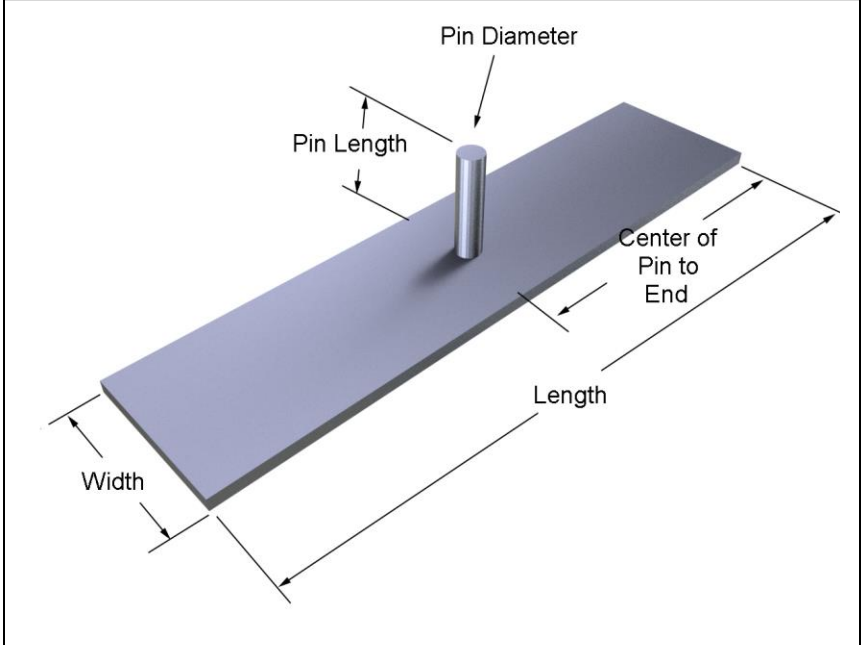


Submittal Sheet
#157-A Centered Dowel Pin Anchor

Specify Location of Pin from center of pin to end. 1/2" minimum of steel between end of anchor and start of hole is recommended.

Pin is welded in place.



Made to Order

Anchor
 Thickness: 3/8" 1/4" 3/16" 1/8"
 12 gage 14 gage 16 gage

Width: _____ Length: _____

Hole Location: Centered _____ from end

Finish: Stainless type 304 Hot Dip Galvanized
 Mill Galvanized Plain Steel

Pin
 Diameter: 1/4" 3/8" 1/2" 5/8" 3/4"

Pin Length: _____ Quantity: _____

Material Specifications

Stainless Steel: Sheet metal anchors and ties: ASTM A 167, ASTM A 666, ASTM A 240/A240M AISI Type 304.
 Wire ties and anchors: ASTM A 580 AISI Type 304
 (AISI Type 316 available upon request)

Hotdip Galvanized: ASTM A 153 Class B-2: (1.50 oz/ ft²)(0.46kg/m²)

Mill Galvanized: Sheet metal anchors and ties: ASTM A 653 G60
 Wire: ASTM A 641 (0.1 oz/ ft².)

Plain Carbon Steel: ASTM A1008/A1008M Structural Steel ASTM A36/A36M-08
 Wire: ASTM A 82/A82M Tensile Strengths 80,000 psi Yield Point 70,000 psi